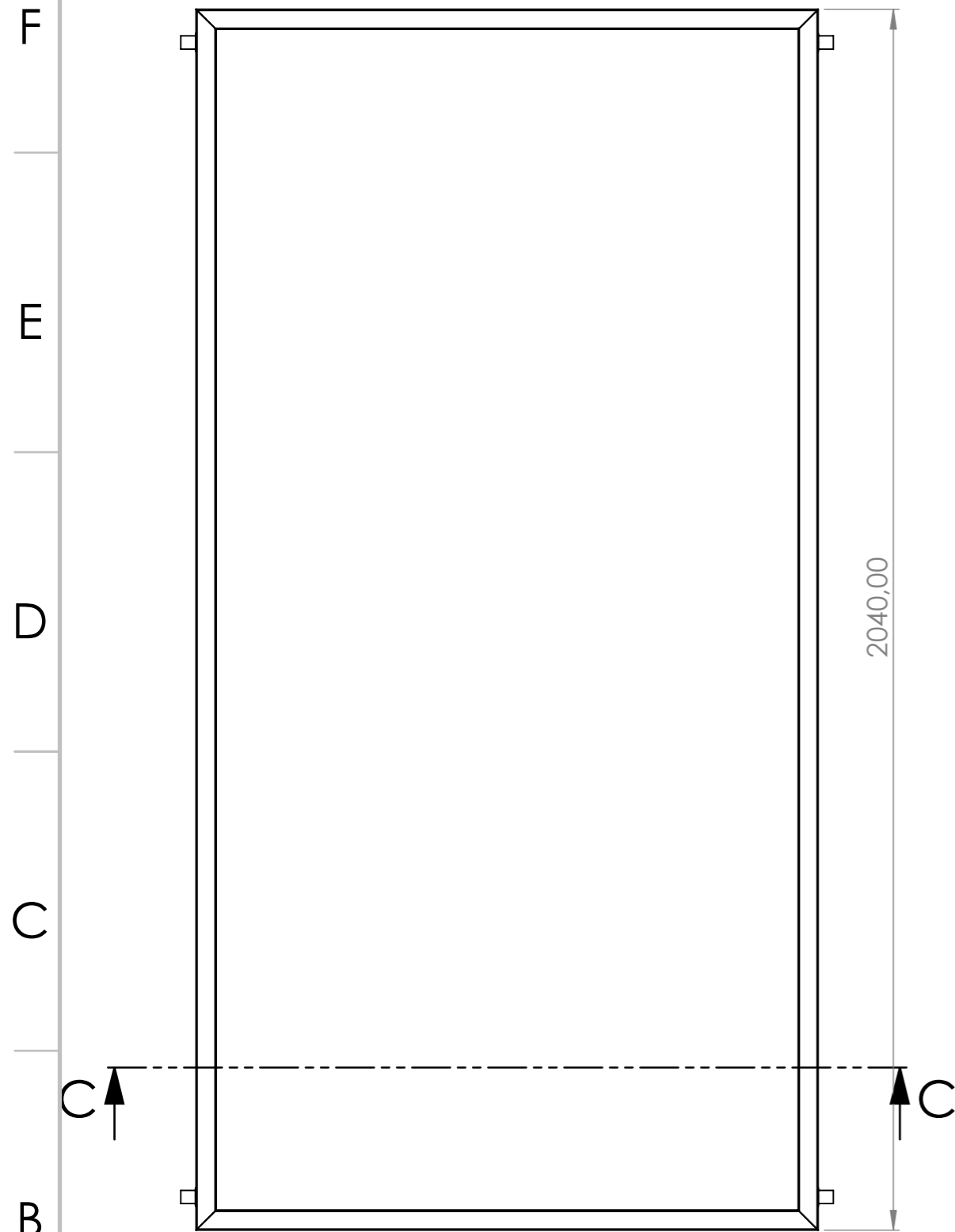
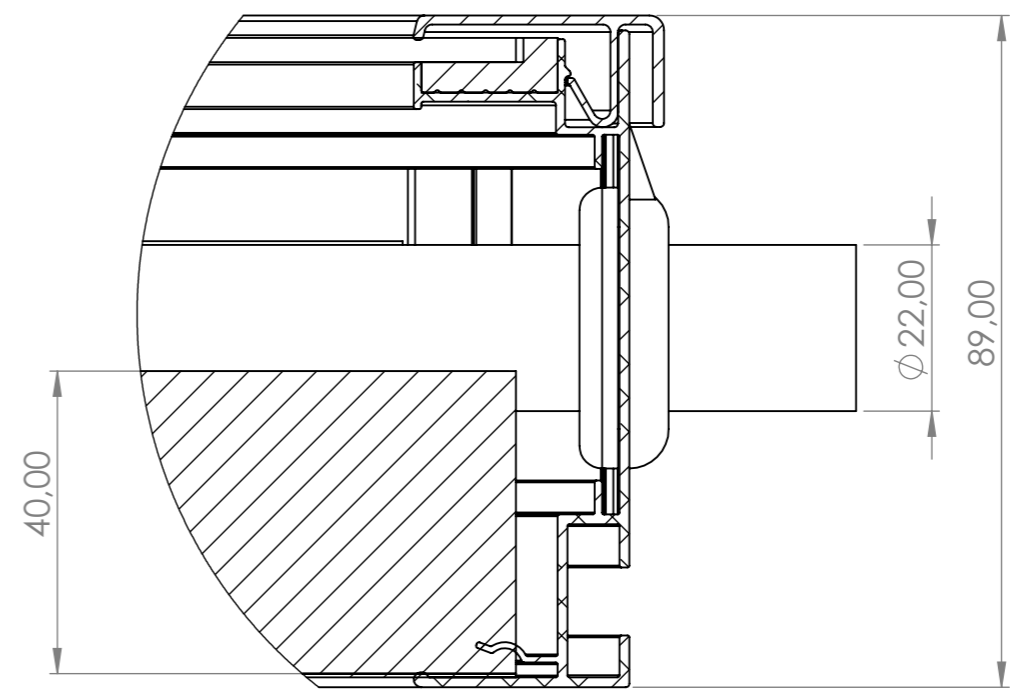
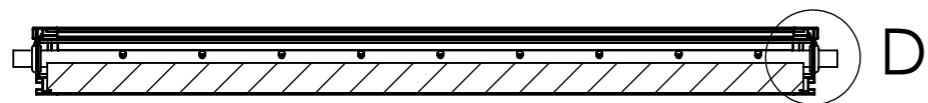



8 7 6 5 4 3 2 1



ARIS2004: X=1040,00 mm  
 ARIS2304: X=1140,00 mm  
 ARIS2504: X=1240,00 mm  
 ARIS2904: X=1440,00 mm



DETAIL D  
 SCALE 1 : 1

UNLESS OTHERWISE SPECIFIED: DIMENSIONS ARE IN MILLIMETERS			FINISH:		DEBURR AND BREAK SHARP EDGES		DO NOT SCALE DRAWING		REVISION	
SURFACE FINISH:										
TOLERANCES:									TITLE:	
LINEAR:										
ANGULAR:										
DRAWN	SPANOS TH	SIGNATURE	DATE							
CHK'D	MICHALOPOULOS									
APPV'D	MICHALOPOULOS									
MFG										
Q.A	GEORGIU					MATERIAL:	DWG NO.		ARIS_series	
							SCALE:1:50		A3	
						WEIGHT:	SHEET 1 OF 1			

8 7 6 5 4 3 2 1