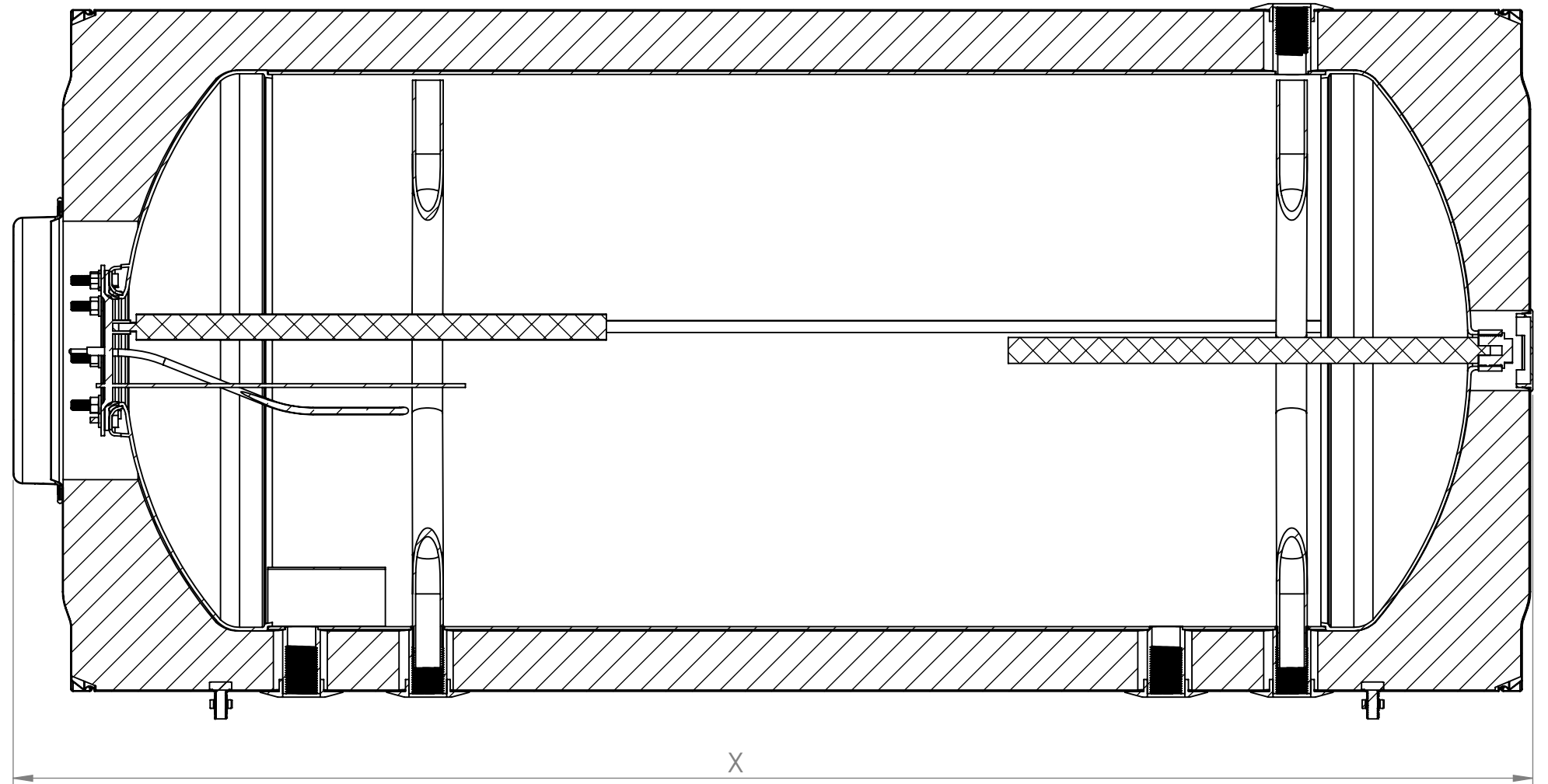
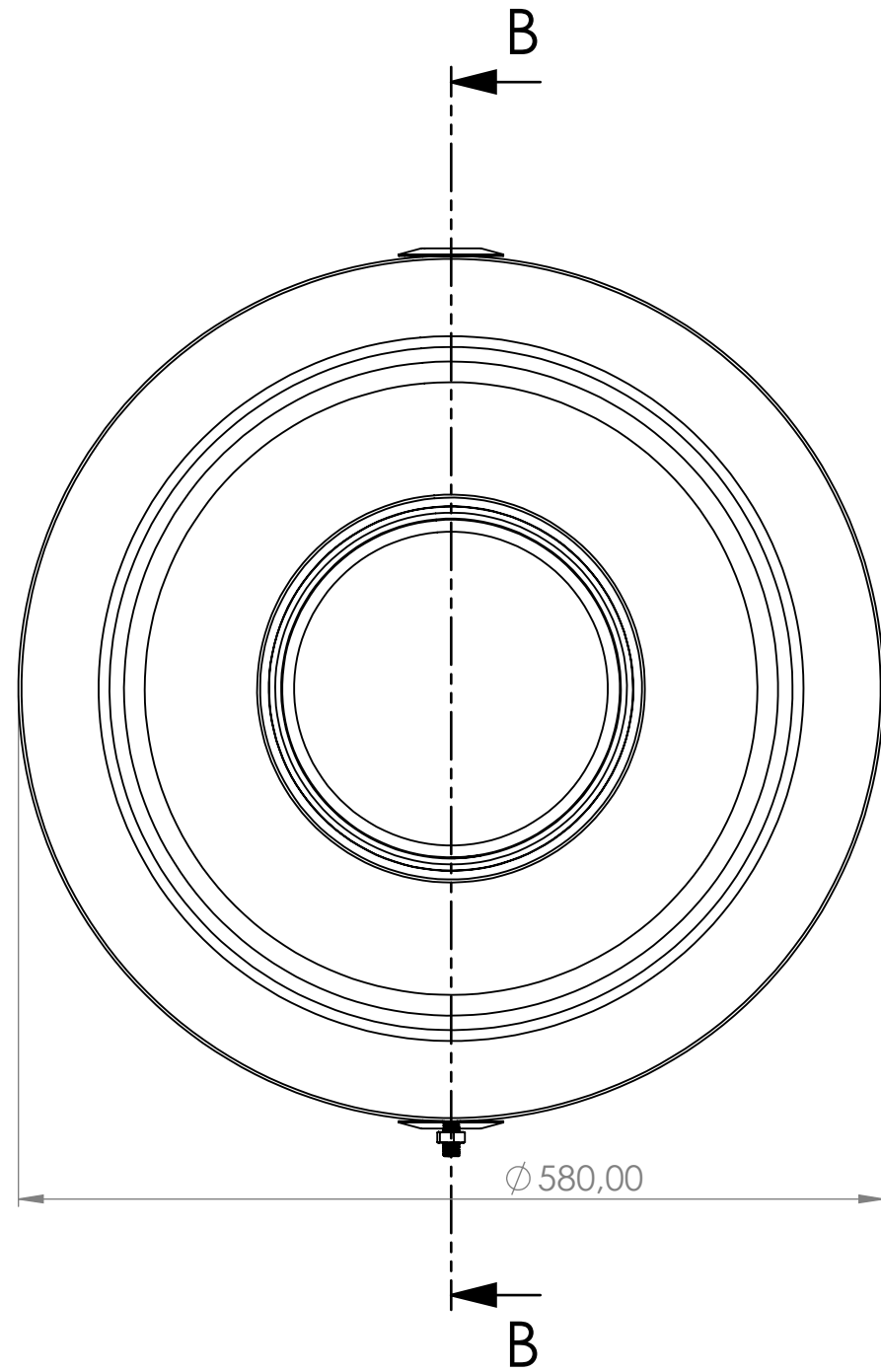



8 7 6 5 4 3 2 1

SECTION B-B
SCALE 1:5



OC160: X= 1058,00 mm
OC200: X= 1292,50 mm
OC300: X= 1733,00 mm

UNLESS OTHERWISE SPECIFIED: DIMENSIONS ARE IN MILLIMETERS		FINISH:		DEBURR AND BREAK SHARP EDGES		DO NOT SCALE DRAWING		REVISION	
SURFACE FINISH:						 SOLAR THERMAL SYSTEMS			
TOLERANCES: LINEAR: ANGULAR:								TITLE:	
DRAWN	SPANOS TH	SIGNATURE	DATE			DWG NO.		A3	
CHK'D	MICHALOPOULOS					OC_series			
APPV'D	MICHALOPOULOS					SCALE:1:20		SHEET 1 OF 1	
MFG						WEIGHT:			
Q.A	GEORGIU								

8 7 6 5 4 3 2 1