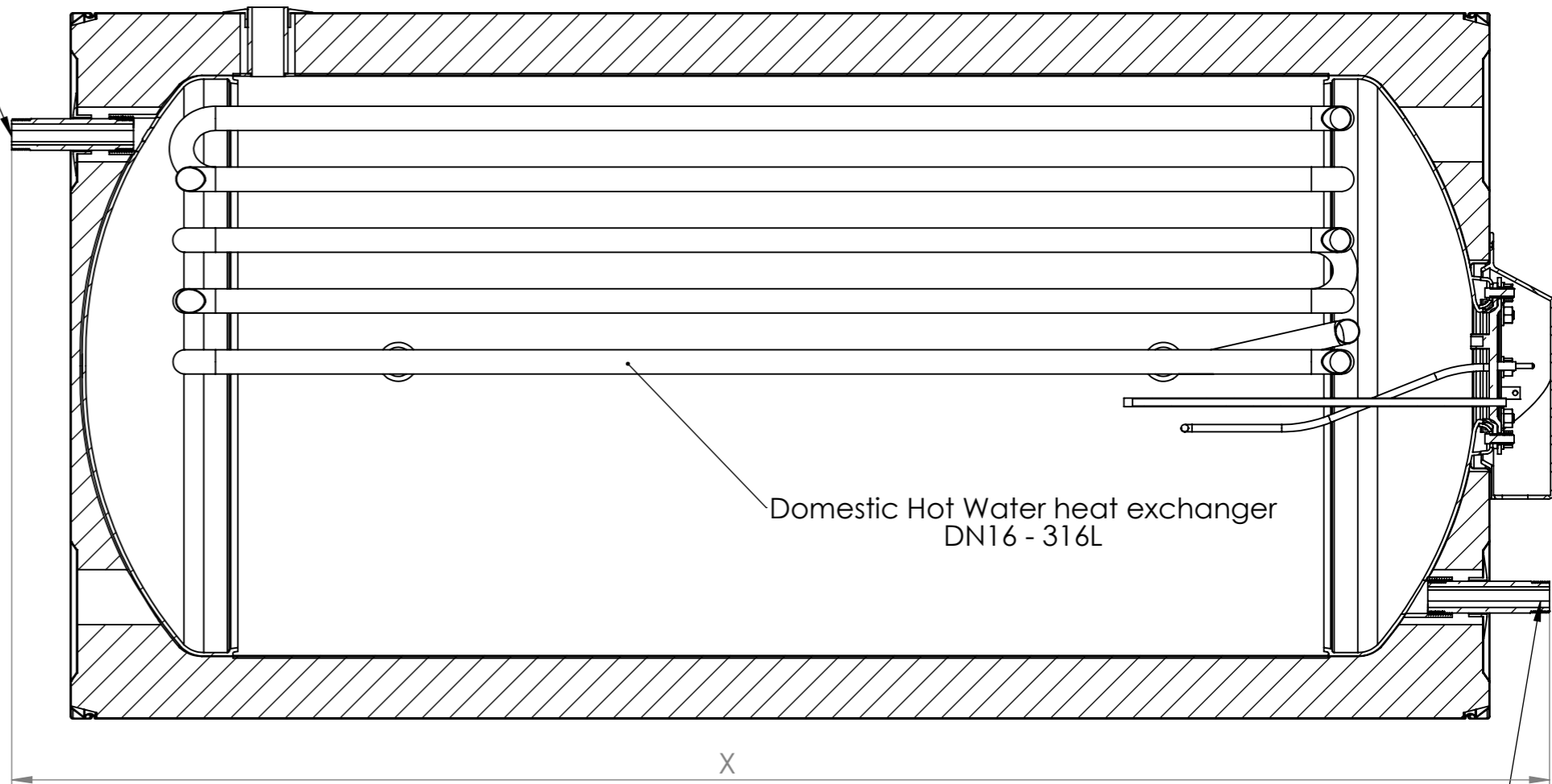
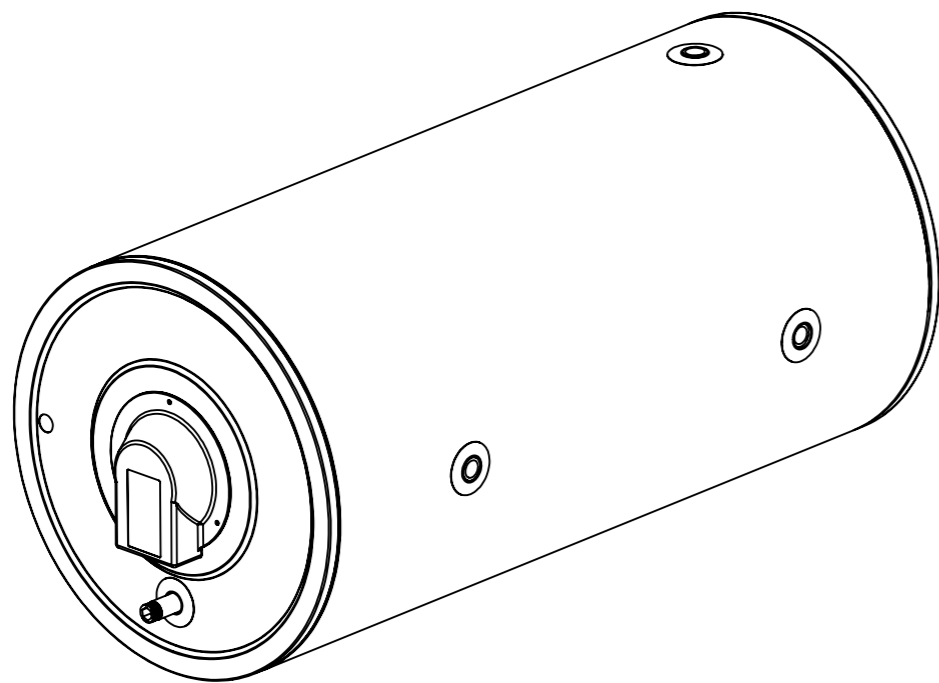



Solar inlet 3/4"



SSH160: X= 1100,00 mm
 SSH200: X= 1300,00 mm
 SSH300: X= 1750,00 mm

Solar outlet 3/4"



UNLESS OTHERWISE SPECIFIED: DIMENSIONS ARE IN MILLIMETERS SURFACE FINISH: TOLERANCES: LINEAR: ANGULAR:			FINISH:		DEBURR AND BREAK SHARP EDGES		DO NOT SCALE DRAWING		REVISION		
							 SOLAR THERMAL SYSTEMS				
							TITLE:				
							DWG NO. SSH_series				
							SCALE:1:10				
							SHEET 1 OF 1				
DRAWN		NAME		SIGNATURE		DATE					
CHK'D		MICHALOPOULOS									
APPV'D		MICHALOPOULOS									
MFG											
Q.A		GEORGIU						MATERIAL:			
								WEIGHT:			
										A3	