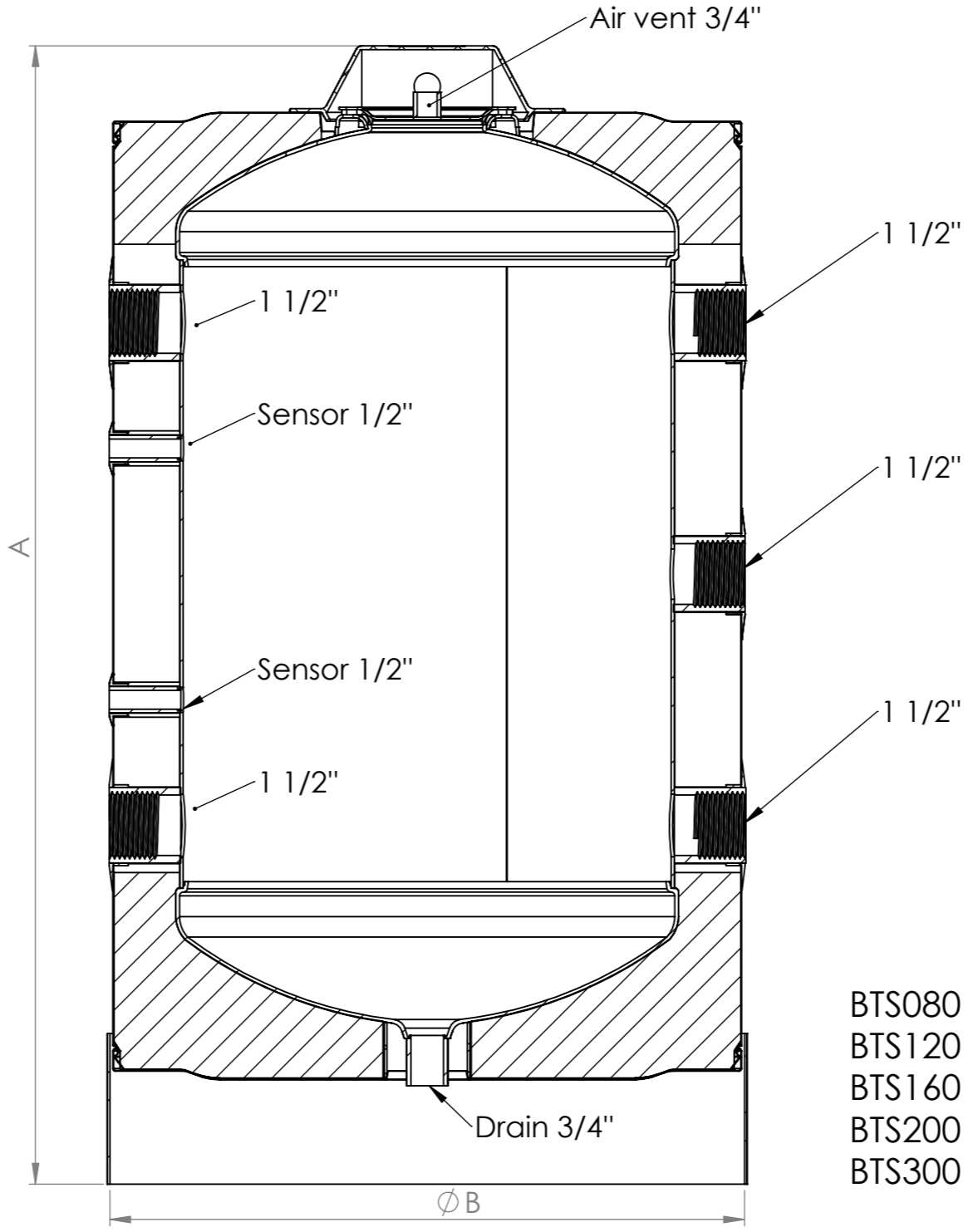
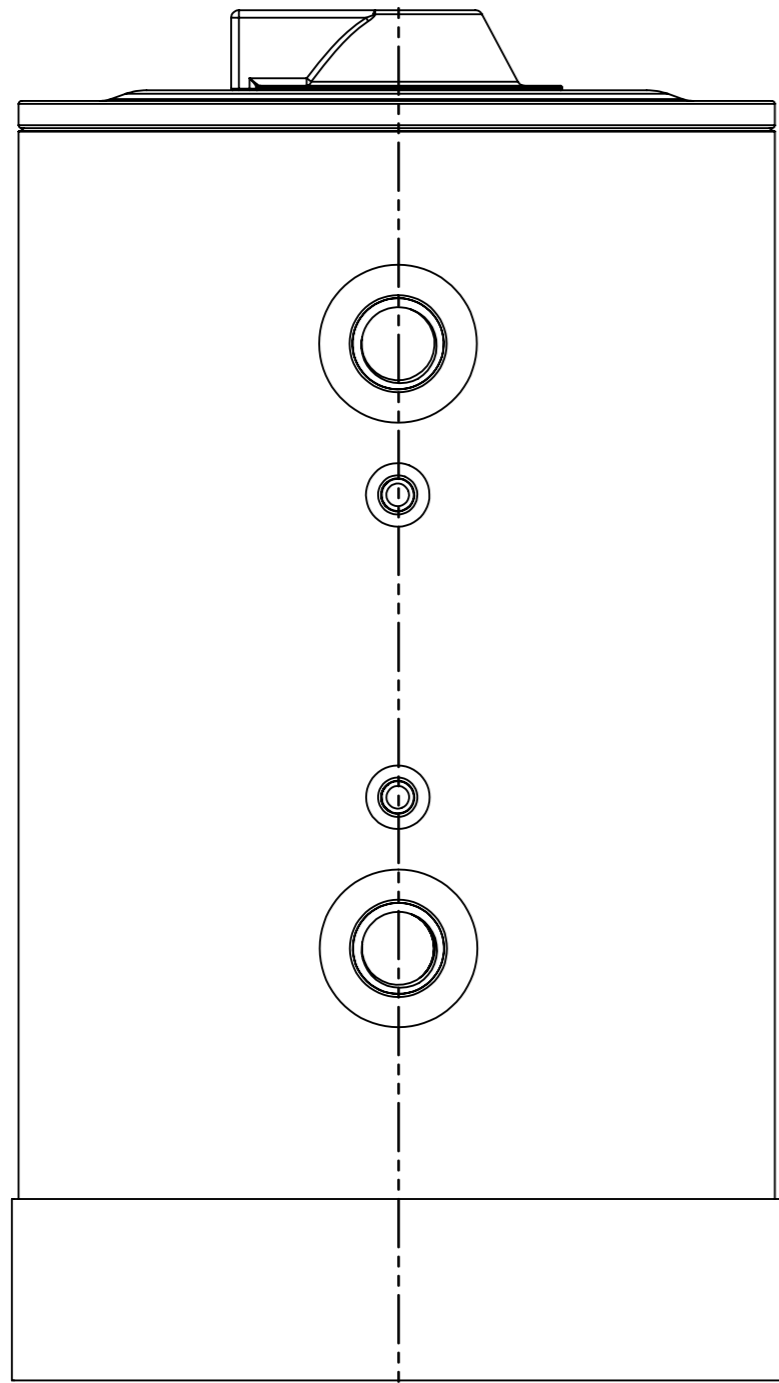


8 7 6 5 4 3 2 1



	A	B
BTS080	905mm	500mm
BTS120	1100mm	500mm
BTS160	1150mm	580mm
BTS200	1350mm	580mm
BTS300	1750mm	580mm

SECTION A-A
SCALE 1 : 5

UNLESS OTHERWISE SPECIFIED: DIMENSIONS ARE IN MILLIMETERS SURFACE FINISH: TOLERANCES: LINEAR: ANGULAR:			FINISH:		DEBURR AND BREAK SHARP EDGES		DO NOT SCALE DRAWING		REVISION		
DRAWN			NAME		SIGNATURE		DATE		TITLE:		
CHK'D			MICHALOPOULOS								
APPV'D			MICHALOPOULOS								
MFG											
Q.A			GEORGIU				MATERIAL:		DWG NO.		
									BTS_series		
							WEIGHT:		SCALE:1:10		
									SHEET 1 OF 1		
									A3		

8 7 6 5 4 3 2 1

F
E
D
C
B
A

F
E
D
C
B
A