

**HSK 750 PR Combination Thermal Store**

Main features	
Application	storage of thermal energy for DHW and space heating
Description	combination Thermal Store with two immersed DHW heat exchangers made of stainless steel, with integrated solar heat exchanger, with a tight separating metal sheet that increases the COP of the heat pump and efficiency of the solar thermal system
Working fluid	water (tank), water, water/glycol mixture (max. 1:1) or water/glycerine mixture (max. 2:1) (heat exchangers)



Code	
Thermal Store	<b>14 190</b>
Insulation	<b>16 324</b>

Energy Efficiency Data (as per EC Regulation No. 812/2013)	
	<b>HSK 750 PR with insulation</b>
Energy efficiency class	N/A
Standing loss	118 W
Storage volume	738 l

Technical Data	
Total tank volume	753 l
Fluid volume in tank	706 l
Solar heat exchanger volume	15 l
Upper DHW heat exchanger volume	21 l
Lower DHW heat exchanger volume	11 l
Solar heat exchanger surface area	2,5 m <sup>2</sup>
Upper DHW heat exchanger surface area	6 m <sup>2</sup>
Lower DHW heat exchanger surface area	3 m <sup>2</sup>
Max. working temp. in Thermal Store	95 °C
Max. working temperature in solar HE	95 °C
Max. working temp. in DHW heat exchangers	95 °C
Max. working pressure in Thermal Store	4 bar
Max. working pressure in solar HE	10 bar
Max. working pressure in DHW heat exchangers	6 bar

Tank Materials	
Tank material	S235JR
Solar heat exchanger material	S235JR+N
DHW heat exchanger material	AISI 316 L

Insulation Materials	
Tank perimeter insulation	fleece
Tank perimeter insulation outer surface	PU leather
Top and bottom tank insulation	fleece

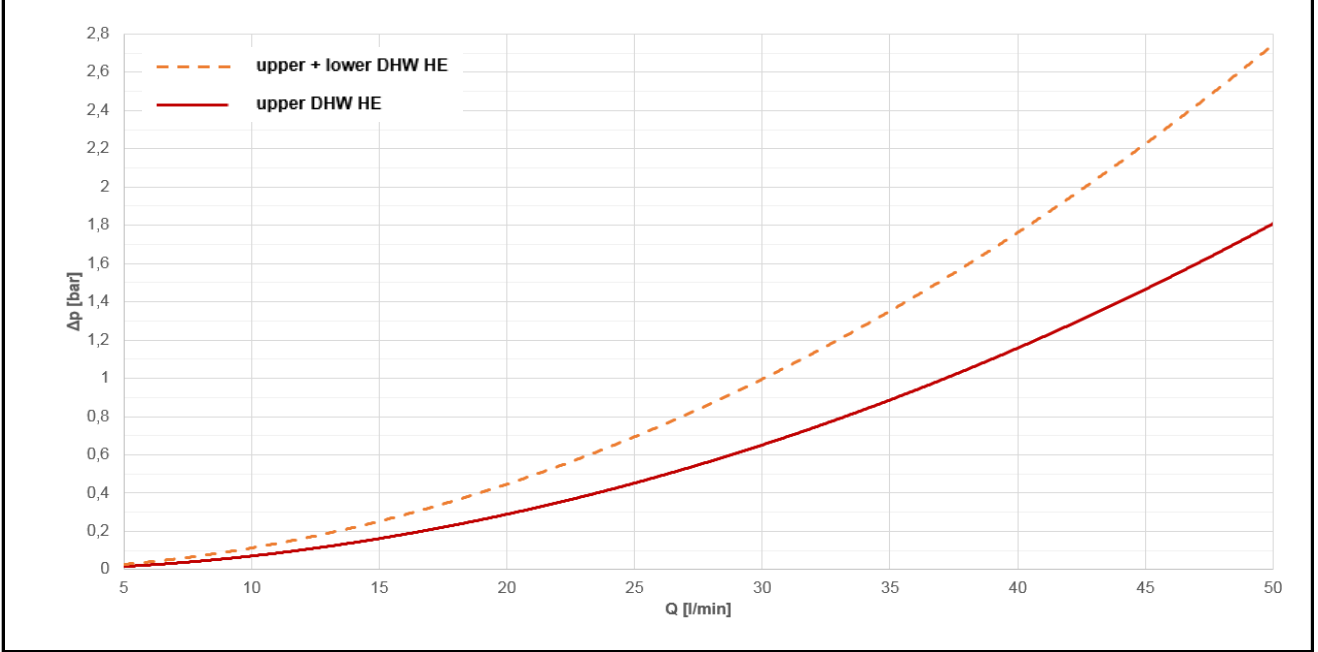
Dimensions, Tipping height, Insulation thickness, Weight	
Tank diameter	750 mm
Tank diameter with insulation	950 mm
Tank overall height	1975 mm
Tipping height without insulation	2030 mm
Tank perimeter insulation thickness	100 mm
Bottom insulation thickness	50 mm
Top insulation thickness	120 mm
Empty weight without insulation	170 kg

Accessories	
El. heating element (models)	ETT-C, J, L
Heating elem. max. length / output	3x 700 mm / 8,2 kW

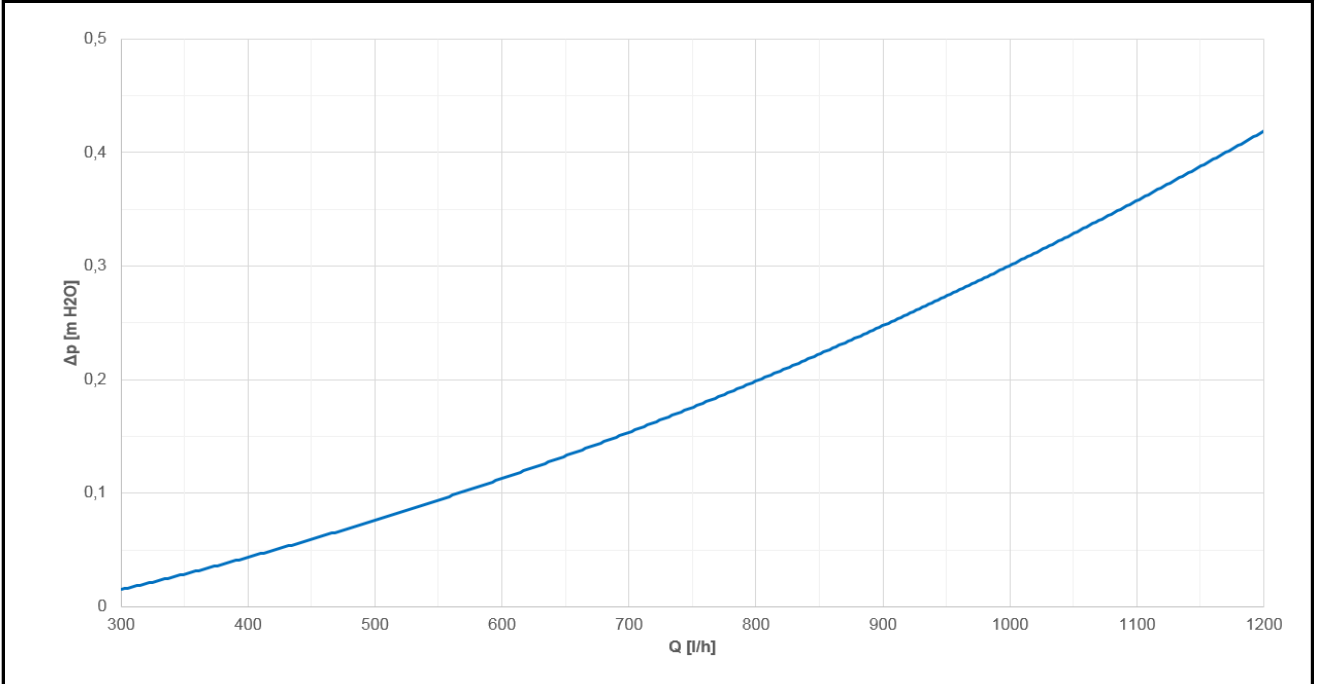
**HSK 750 PR Combination Thermal Store**

Volume of supplied DHW (heated from 10 °C to 40 °C)												
Heated volume	entire			entire			entire			above metal sheet		
Temperature in tank	60 °C			60 °C			80 °C			60 °C		
Backup heater	10 kW			none			none			10 kW		
Flow rate [l/min]	8	12	20	8	12	20	8	12	20	8	12	20
Hot water volume [l]	1212	965	739	784	720	677	1238	1186	1076	489	335	286

**DHW heat exchanger pressure drop**



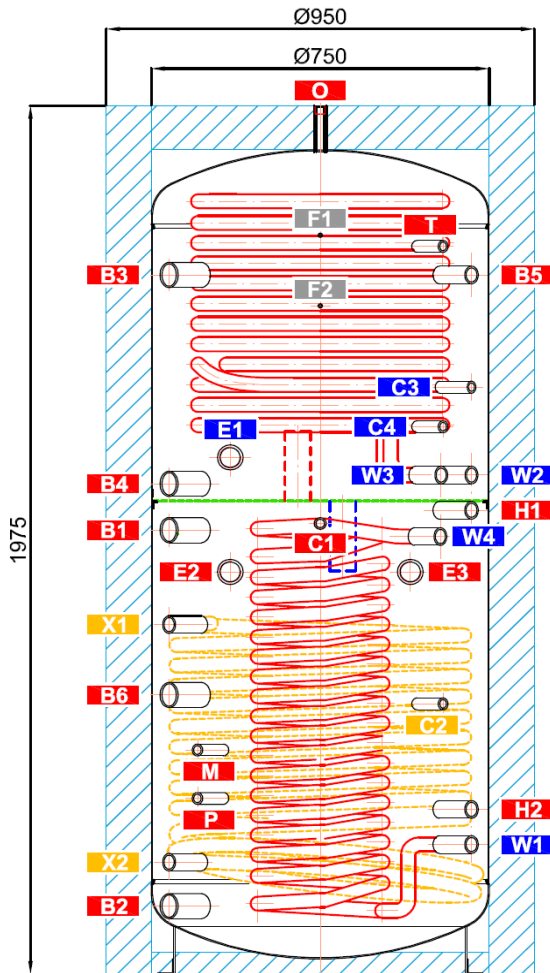
**Solar heat exchanger pressure drop**



**HSK 750 PR Combination Thermal Store**

**Dimensions**

Tipping height without insulation 2030 mm.



**TAPPINGS**

Pos.	Connection	Height [mm]
<b>Heat sources</b>		
B1	G 6/4" F	1010
B2	G 6/4" F	155
B3	G 6/4" F	1590
B4	G 6/4" F	1115
B5	G 1" F	1590
B6	G 6/4" F	635
<b>Heating system</b>		
H1	G 1" F	1055
H2	G 1" F	375
<b>Solar thermal system</b>		
X1	G 1" F	795
X2	G 1" F	255
<b>El. heating elements</b>		
E1	G 6/4" F	1175
E2	G 6/4" F	915
E3	G 6/4" F	915
<b>DHW heating</b>		
W1	G 1" M	295
W2	G 1" M	1135
W3	G 1" M	1135
W4	G 1" M	995
<b>Control and safety</b>		
C1	G 1/2" F	1025
C2	G 1/2" F	615
C3	G 1/2" F	1335
C4	G 1/2" F	1245
T	G 1/2" F	1655
M	G 1/2" F	510
P	G 1/2" F	400
<b>Air release</b>		
O	G 1/2" F	1975
<b>Pump station support</b>		
F1	M6	1680
F2	M6	1520