

R2BC 1000 Hot Water Storage Tank

R2BC 1000



Electric heating elements

model A 

model M 

Magnesium anode rod



Main features	
Application	DHW heating
Description	hot water storage tank with integrated enamelled heat exchanger, permitting installation of an el. heating element
Working fluid	water (tank), water or water/glycol mixture (max. 1:1) (heat exchanger)
Code	5758

Energy Efficiency Data (as per EC Regulation No. 812/2013)	
	R2BC 1000
Energy efficiency class	N/A
Standing loss	121 W
Storage volume	853 l

Technical data	
Total tank volume	883 l
Fluid volume in tank	853 l
Upper heat exchanger (HE) volume	15 l
Lower heat exchanger volume	15 l
Upper heat exchanger surface area	2,5 m ²
Lower heat exchanger surface area	2,5 m ²
Max. working temperature in tank	95 °C
Max. working temperature in HE	110 °C
Max. working pressure in tank	10 bar
Max. working pressure in HE	10 bar

Hot water heating from 10 °C to 45 °C at heating water temp. of 60 °C	
Upper heat exchanger	2090 l/h (84,7 kW)
Lower heat exchanger	2090 l/h (84,7 kW)

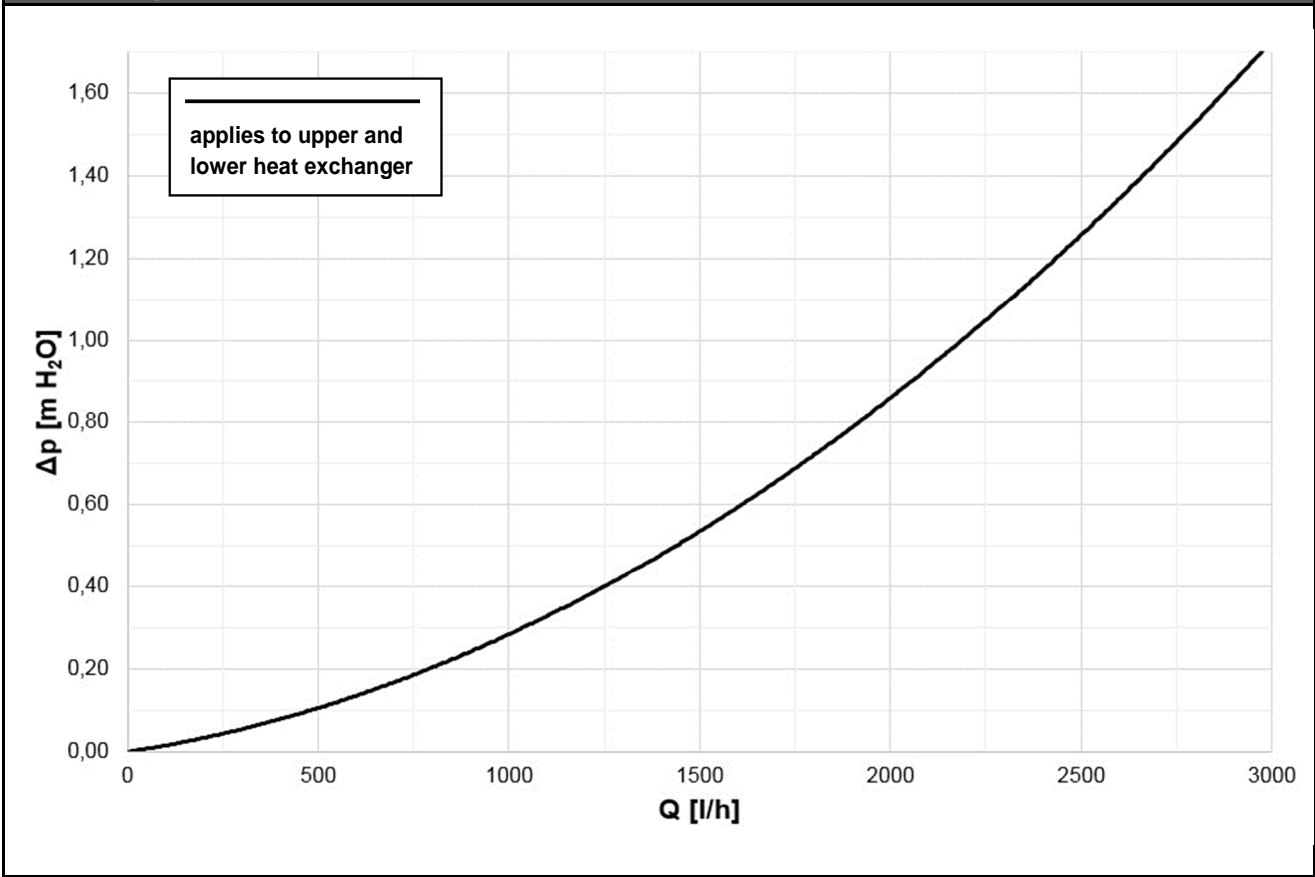
Materials	
Tank material	S235JR, inner surface enamelled (DIN 4756)
Heat exchanger material	S235JR+N, outer surface enamelled (DIN 4756)
Tank perimeter insulation	PU foam (hard)
Insulation's outer surface	PVC / ABS

Dimensions, Tipping height, Weight	
Tank diameter	790 mm
Tank diameter with insulation	950 mm
Tank overall height	2120 mm
Tipping height	2330 mm
Empty weight	285 kg

Accessories	
El. heating element	models ETT-A, D, F, G, M
Heating elem. max. length / output	815 mm / 12,0 kW
Electronic anode rod	code 9 175

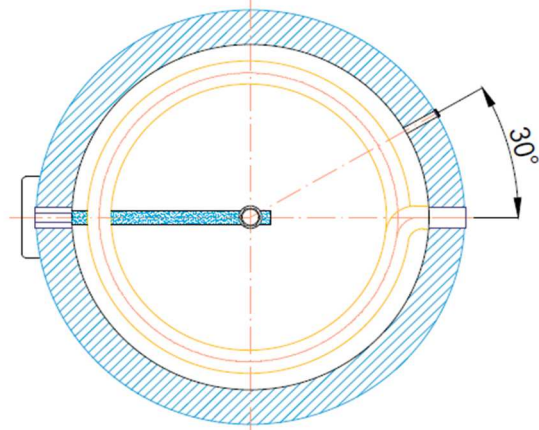
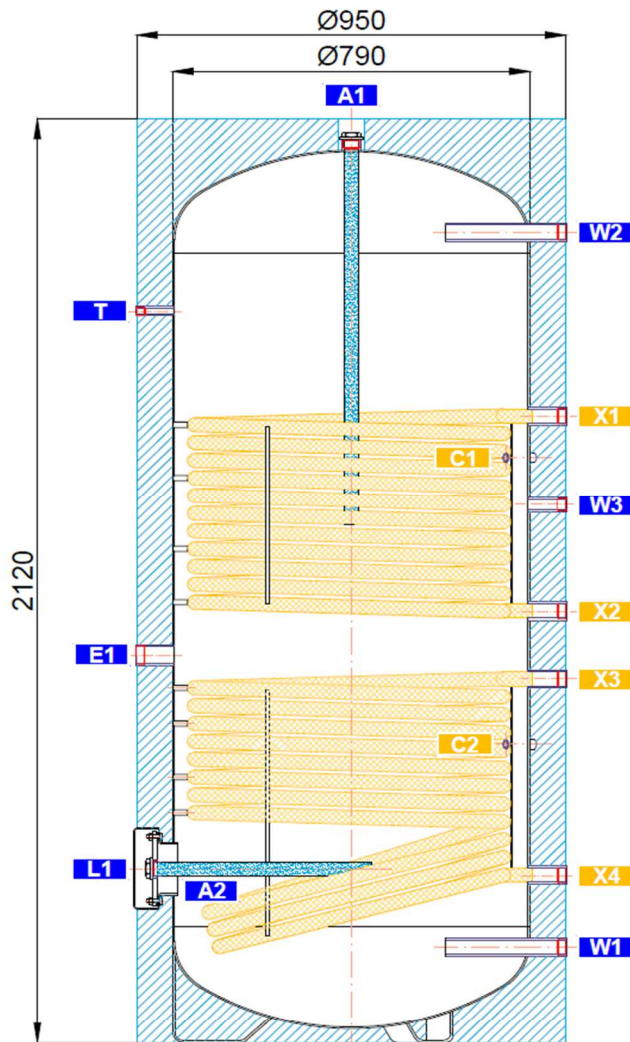
Spare parts (magnesium anode rods)	
Mg anode r. (A1), G 5/4"	code 3 698
Mg anode r. - into flange (A2,3), G 5/4"	code 448
Mg anode r. - chain type, G 5/4"	code 13 112

Heat exchanger pressure drop



Dimensions

Tipping height 2330 mm.



TAPPINGS

pos.	connection	height [mm]
DHW heating		
W1	G 5/4" F	220
W2	G 5/4" F	1840
W3	G 1" F	1235
El. heating elements		
E1	G 6/4" F	890
Control and safety		
C1	G 1/2" F	1235
C2	G 1/2" F	685
T	G 1/2" F	1680
Solar thermal system		
X1	G 5/4" F	1440
X2	G 5/4" F	990
X3	G 5/4" F	835
X4	G 5/4" F	385
Flange		
L1	8 x M10	400
Magnesium anode rod		
A1	G 5/4" F	2095
A2	G 5/4" F	400