

R2DC 200 Hot Water Storage Tank

v1.1.2_04/2017

R2DC 200



Main features	
Application	DHW heating
Description	hot water storage tank with 2 integrated enamelled heat exchangers, permitting installation of an el. heating element
Working fluid	water (tank); water, water/glycol mixture (max. 1:1) or water/glycerine mixture (max. 2:1) (heat exchangers)
Code	11 351

Energy Efficiency Data (as per EC Regulation No. 813/2013)	
	R2DC 200
Energy efficiency class	C
Standing loss	82 W
Storage volume	200 l

Technical data	
Total tank volume	216 l
Fluid volume in tank	200 l
Upper heat exchanger (HE) volume	8 l
Lower heat exchanger (HE) volume	8 l
Upper heat exchanger surface area	1,0 m ²
Lower heat exchanger surface area	1,0 m ²
Max. working temperature in tank	95 °C
Max. working temperature in HE	110 °C
Max. working pressure in tank	10 bar
Max. working pressure in HE	10 bar

Materials	
Tank material	S235JR, inner surface enamelled (DIN 4756)
Heat exchanger material	S235JR+N, outer surface enamelled (DIN 4756)
Tank perimeter insulation	PUR foam (hard)
Insulation's outer surface	plastic

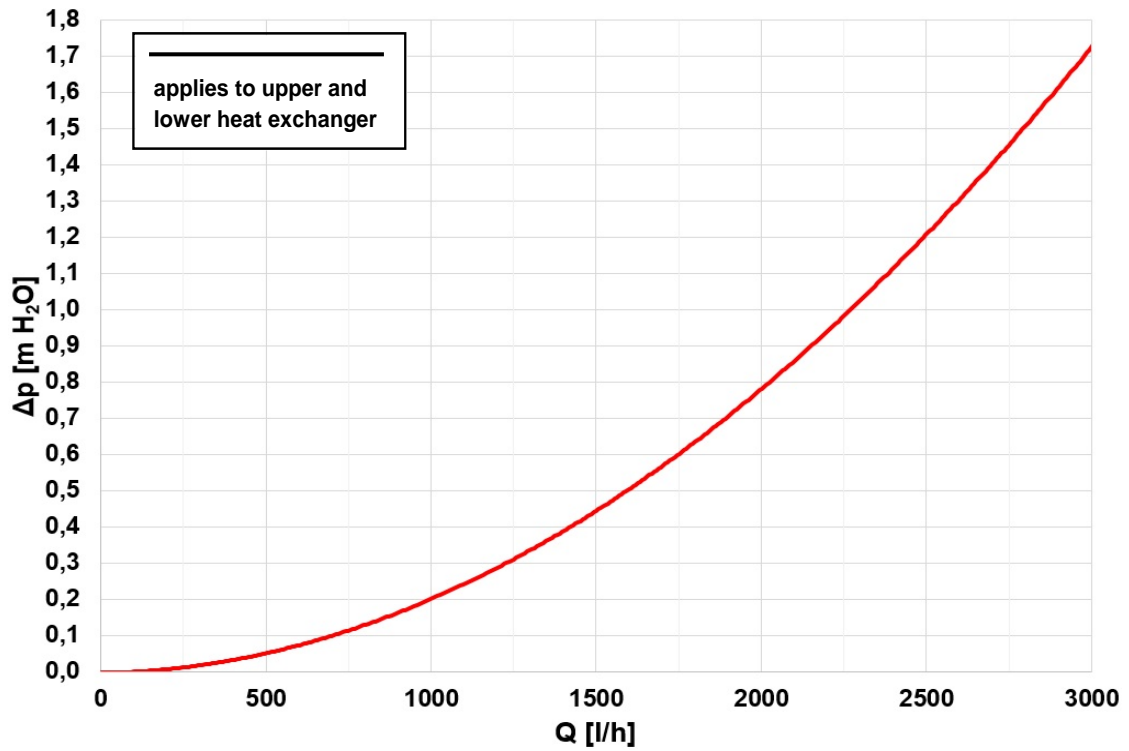
Hot water heating from 10 °C to 45 °C at heating water temp. of 60 °C	
Upper heat exchanger	590 l/h (24 kW)
Lower heat exchanger	590 l/h (24 kW)

Dimensions, Tipping height, Weight	
Tank diameter	500 mm
Tank diameter with insulation	584 mm
Tank overall height	1352 mm
Tipping height	1480 mm
Empty weight	105 kg

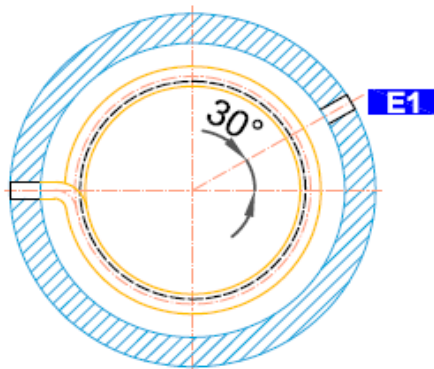
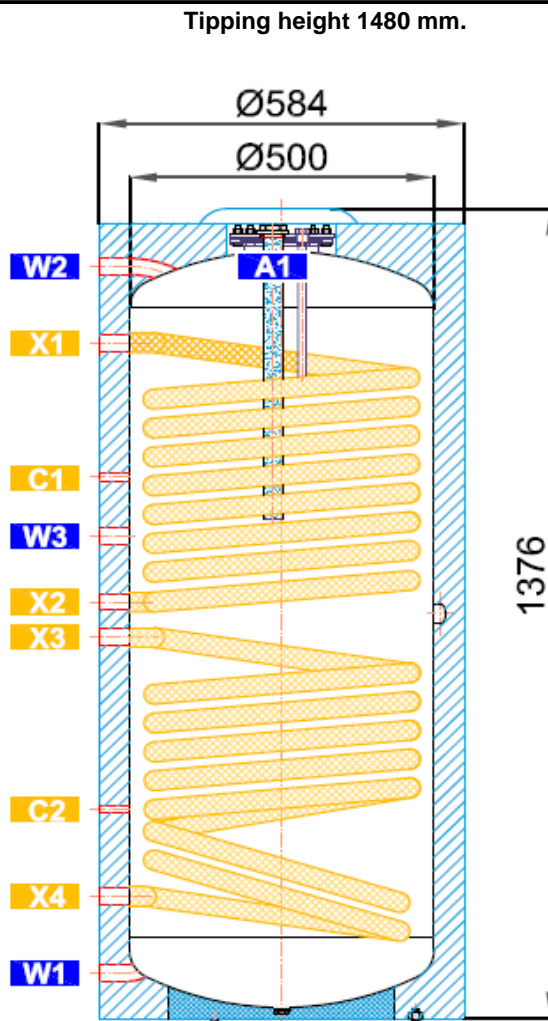
Accessories	
El. heating element	models ETT-A, D, F, G, M
Heating elem. max. length / output	495 mm / 6,0 kW
Electronic anode rod	code 9174

Spare parts (magnesium anode rods)	
Mg anode rod A1 (G 5/4")	code 448
Mg anode rod A2 (G 3/4")	-
Mg anode rod (G 3/4") with flange and gasket	code 15 847

Heat exchanger pressure drop



Dimensions



TAPPINGS

pos.	connection	height [mm]
DHW heating		
W1	G 3/4" M	78
W2	G 3/4" M	1278
W3	G 3/4" F	820
El. heating elements		
E1	G 6/4" F	688
Control and safety		
C1	G 1/2" F	920
C2	G 1/2" F	353
Solar thermal system		
X1	G 3/4" M	1148
X2	G 3/4" M	708
X3	G 3/4" M	648
X4	G 3/4" M	208
Magnesium anode rod		
A1	G 5/4" F	1334

NOTE:

- 1) C1 and C2 tappings are supplied incl. adapter G 1/2" M - M12x1.5 and cable gland
- 2) earthing metal strip is run through the insulation next to the upper flange