

8 7 6 5 4 3 2 1

F

F

E

E

D

D

C

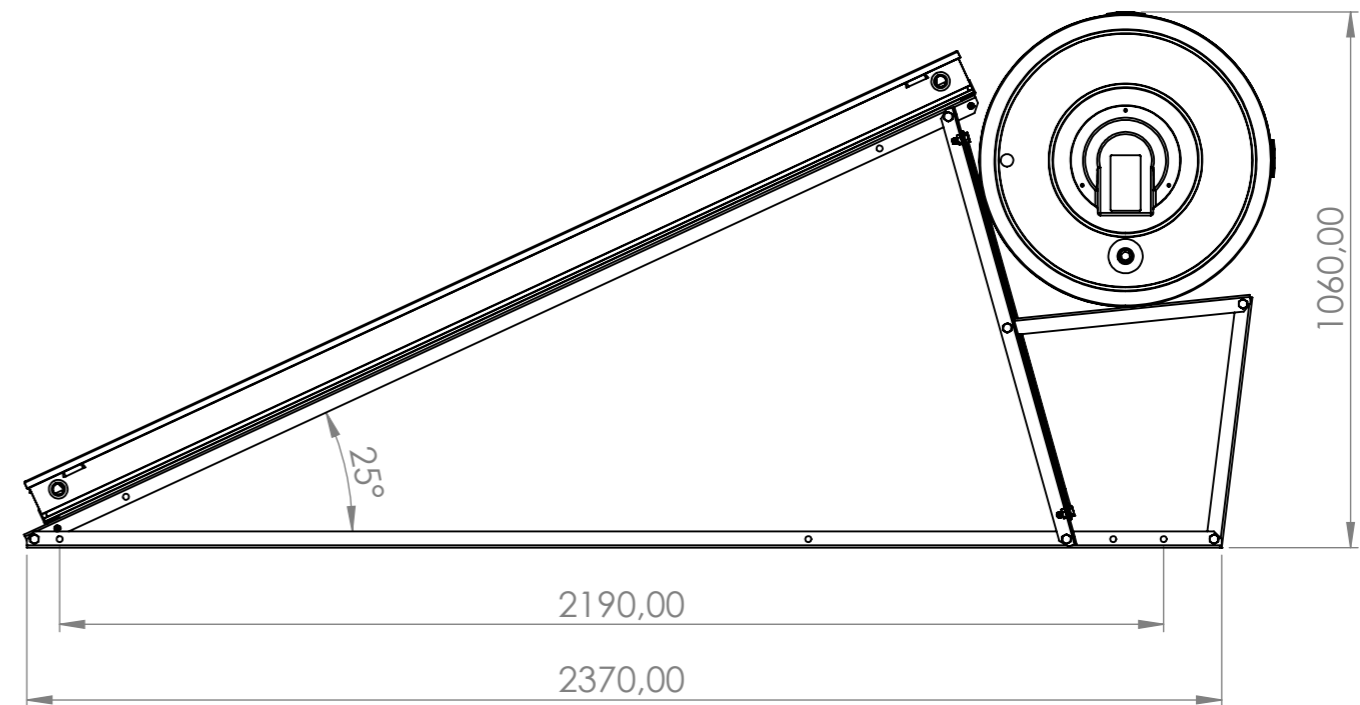
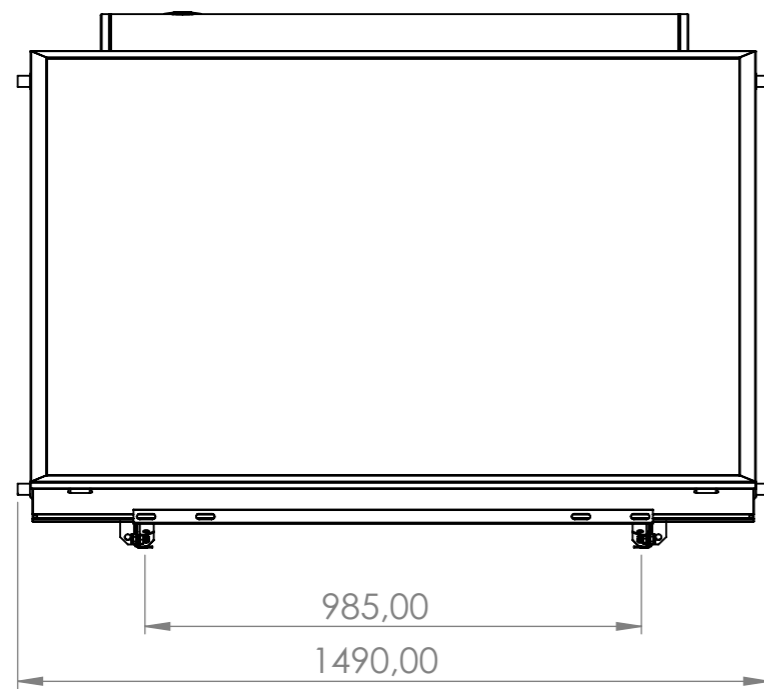
C

B

B

A

A



UNLESS OTHERWISE SPECIFIED: DIMENSIONS ARE IN MILLIMETERS SURFACE FINISH: TOLERANCES: LINEAR: ANGULAR:				FINISH:		DEBURR AND BREAK SHARP EDGES		DO NOT SCALE DRAWING		REVISION	
								TITLE:			
								DWG NO. <b>SSH229NV</b>			
								SCALE:1:50		SHEET 1 OF 1	
DRAWN		NAME		SIGNATURE		DATE					
CHK'D		MICHALOPOULOS									
APPV'D		MICHALOPOULOS									
MFG											
Q.A		GEORGIU						MATERIAL:			
								WEIGHT:			
								A3			

8 7 6 5 4 3 2 1