

8 7 6 5 4 3 2 1

F

F

E

E

D

D

C

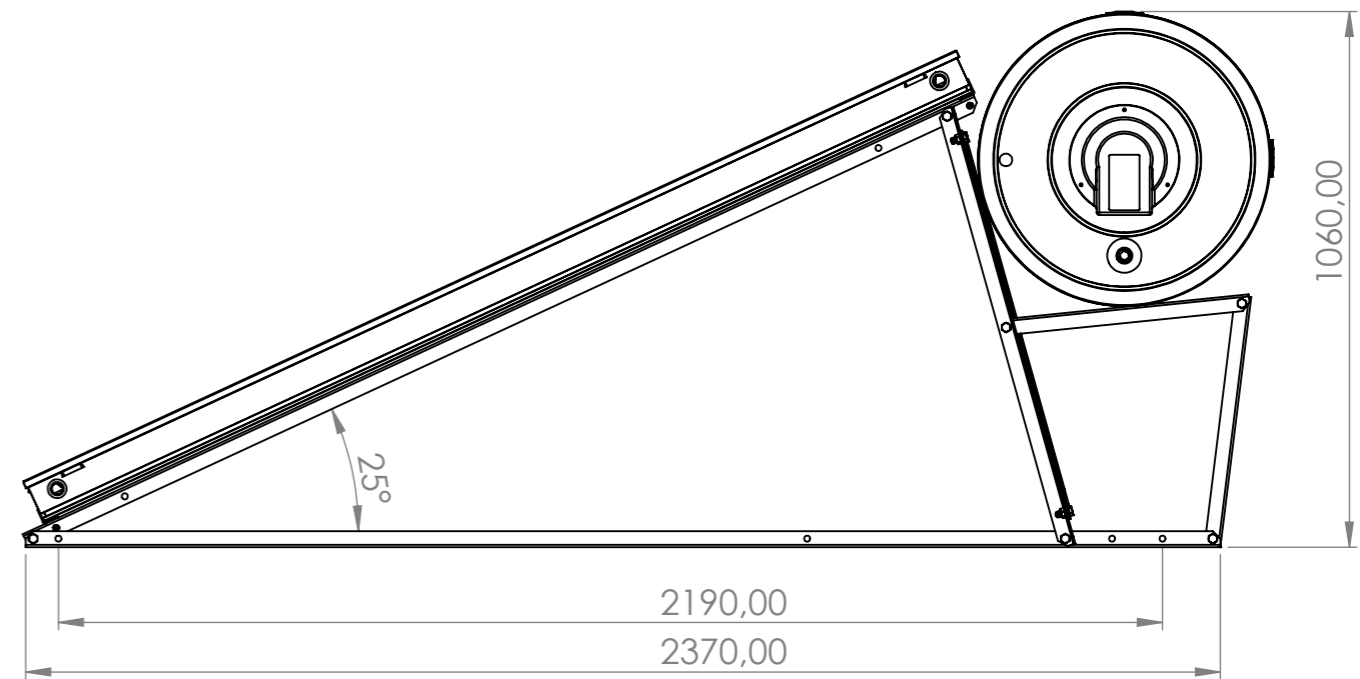
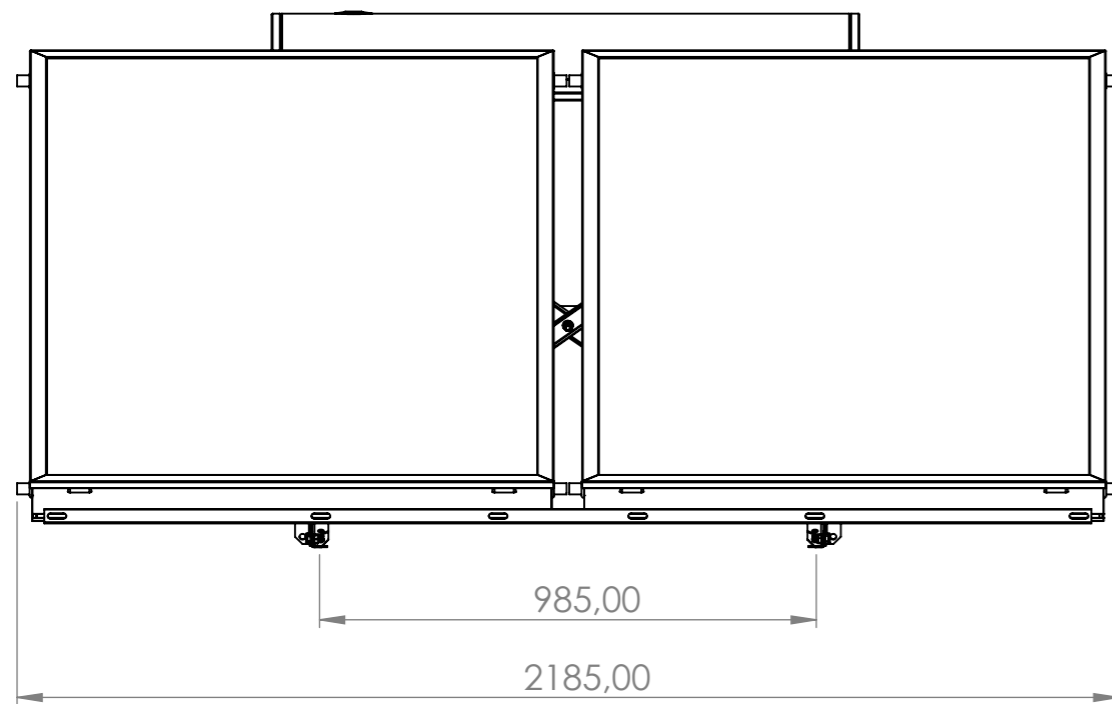
C


B

B

A

A



UNLESS OTHERWISE SPECIFIED: DIMENSIONS ARE IN MILLIMETERS SURFACE FINISH: TOLERANCES: LINEAR: ANGULAR:		FINISH:		DEBURR AND BREAK SHARP EDGES		DO NOT SCALE DRAWING		REVISION	
						 SOLLAR THERMAL SYSTEMS			
						TITLE:			
						DWG NO. SSH230NV			
						SCALE:1:50		SHEET 1 OF 1	
DRAWN		NAME		SIGNATURE		DATE			
CHK'D		MICHALOPOULOS							
APPV'D		MICHALOPOULOS							
MFG									
Q.A		GEORGIU				MATERIAL:			
						WEIGHT:			
								A3	

8 7 6 5 4 3 2 1