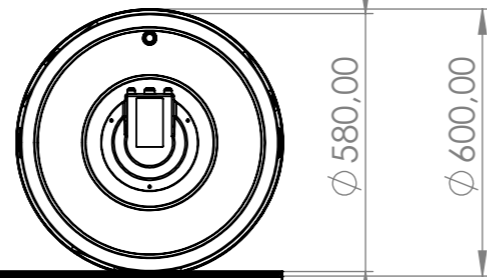
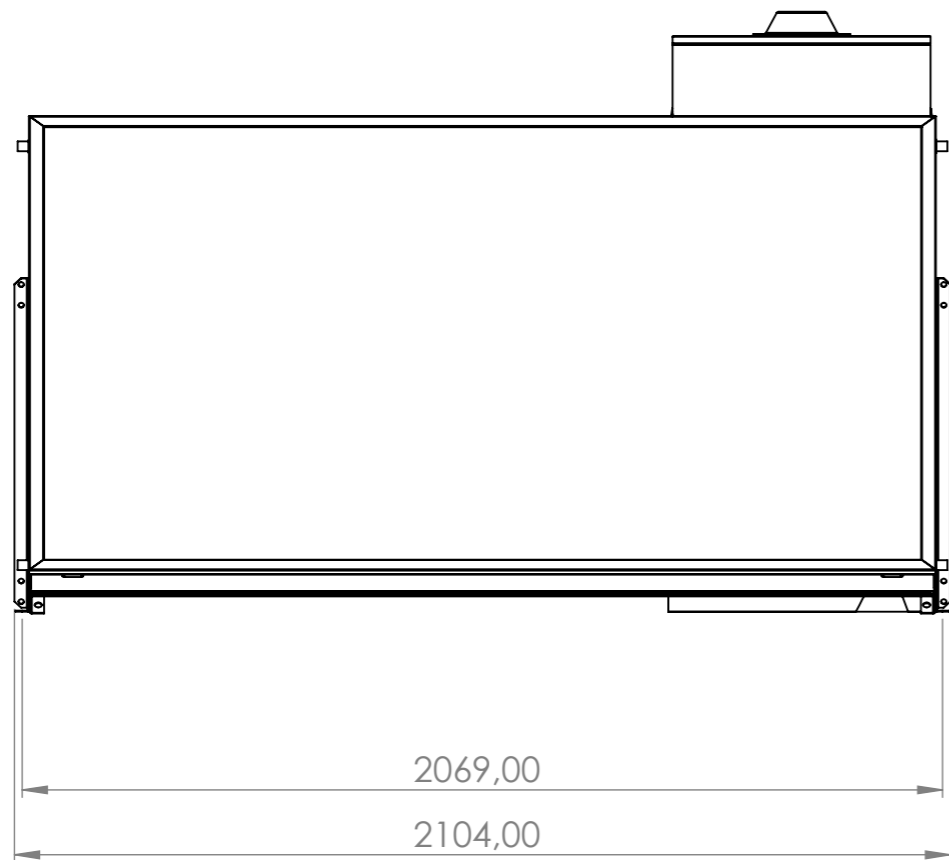
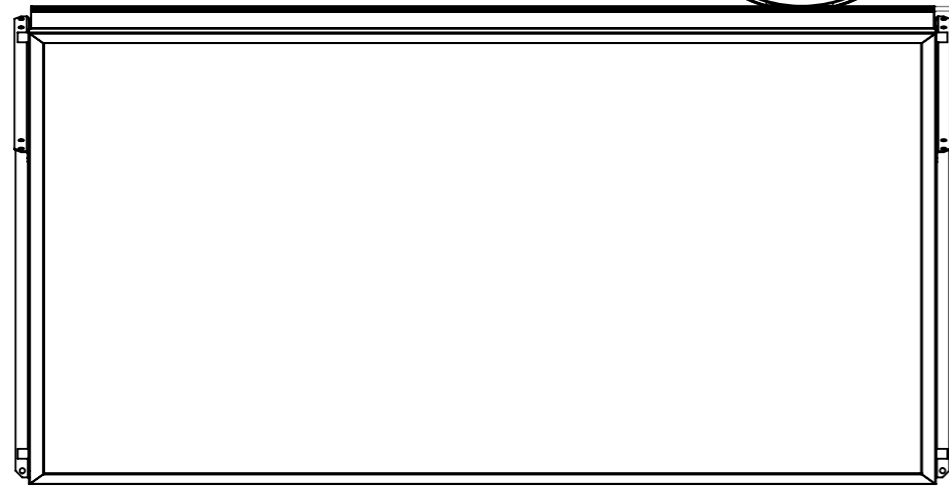


8 7 6 5 4 3 2 1

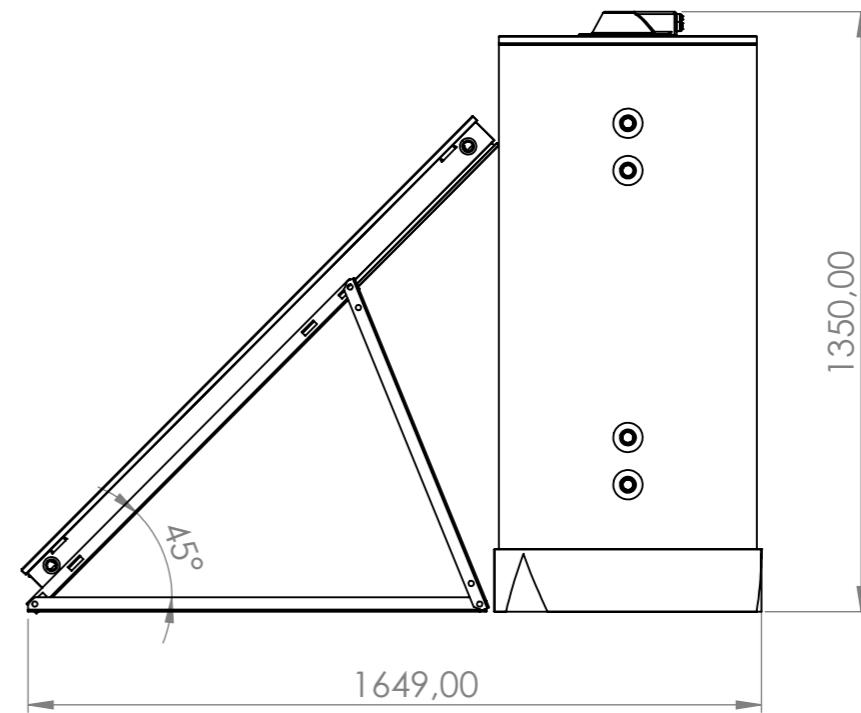


Ø 580,00
Ø 600,00



2069,00


2104,00



45°

1649,00

1350,00

UNLESS OTHERWISE SPECIFIED: DIMENSIONS ARE IN MILLIMETERS SURFACE FINISH: TOLERANCES: LINEAR: ANGULAR:				FINISH:		DEBURR AND BREAK SHARP EDGES		DO NOT SCALE DRAWING		REVISION	
								 Sammler [®] SOLAR THERMAL SYSTEMS			
								TITLE:			
DRAWN		SPANOS TH		SIGNATURE		DATE		DWG NO.		HP200-29	
CHK'D		MICHALOPOULOS						SCALE:1:50		SHEET 1 OF 1	
APPV'D		MICHALOPOULOS						MATERIAL:		A3	
MFG								WEIGHT:			
Q.A		GEORGIU									

8 7 6 5 4 3 2 1

F
E
D
C
B
A

F
E
D
C
B
A