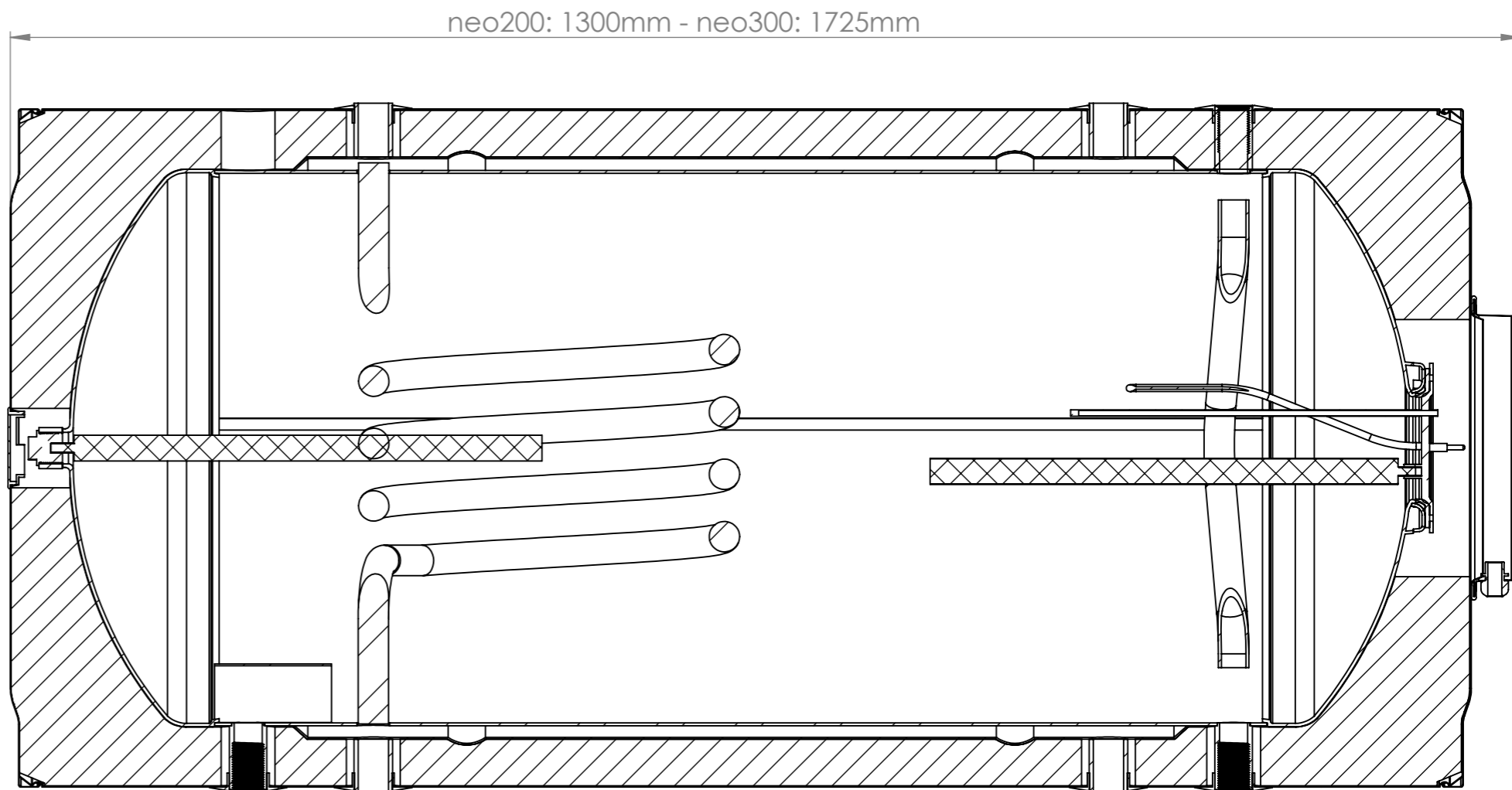
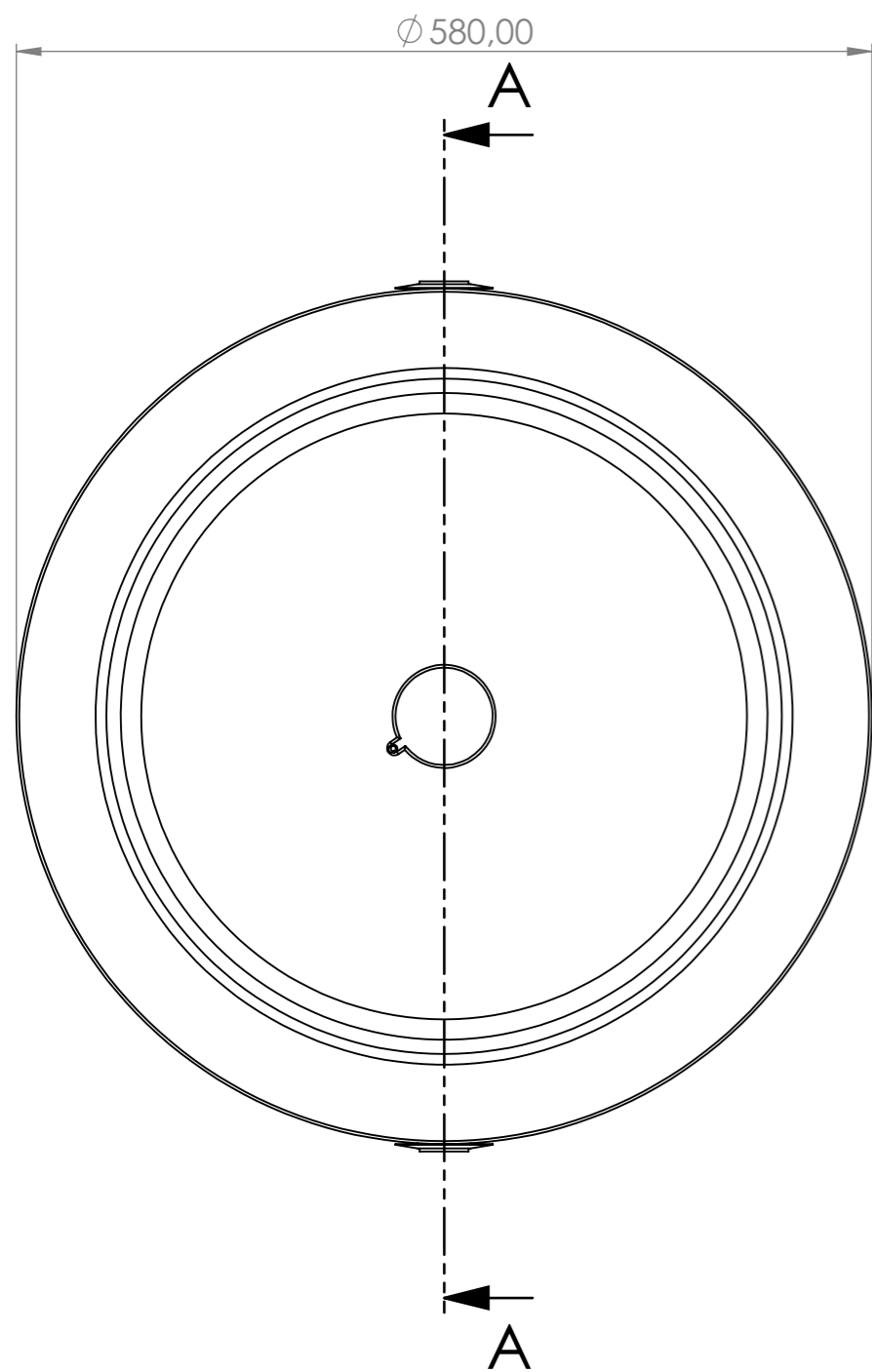


8 7 6 5 4 3 2 1

F

F




SECTION A-A

SCALE 1 : 5

B

B

UNLESS OTHERWISE SPECIFIED: DIMENSIONS ARE IN MILLIMETERS SURFACE FINISH: TOLERANCES: LINEAR: ANGULAR:		FINISH:		DEBURR AND BREAK SHARP EDGES		DO NOT SCALE DRAWING		REVISION	
						 <b>Sammler</b> <sup>®</sup> SOLAR THERMAL SYSTEMS			
						TITLE:			
DRAWN		NAME		SIGNATURE		DATE			
CHK'D		MICHALOPOULOS							
APPV'D		MICHALOPOULOS							
MFG									
Q.A		GEORGIU				MATERIAL:		DWG NO.	
								neo series	
								A3	
						WEIGHT:		SCALE:1:20	
								SHEET 1 OF 1	

8 7 6 5 4 3 2 1

A

A