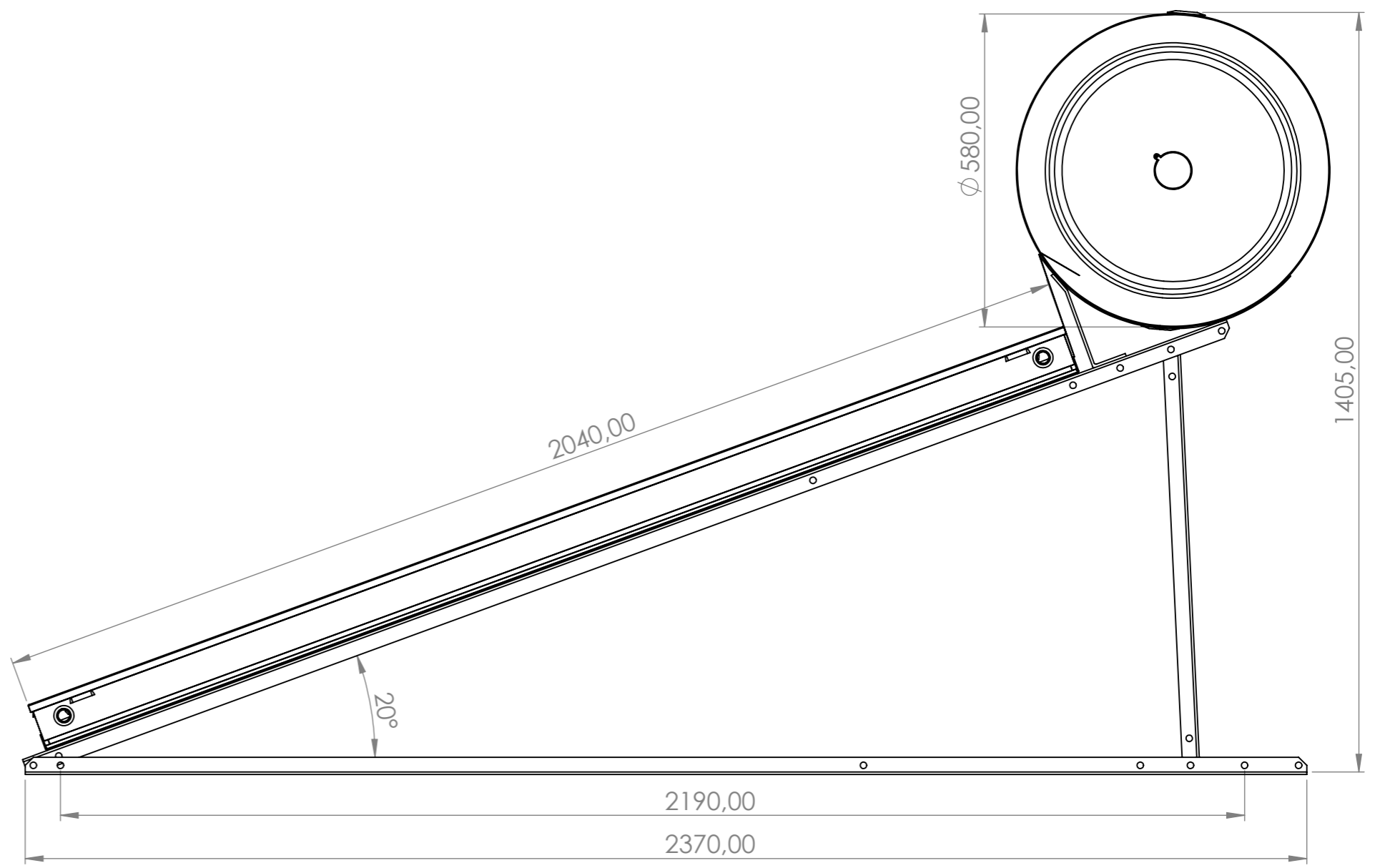
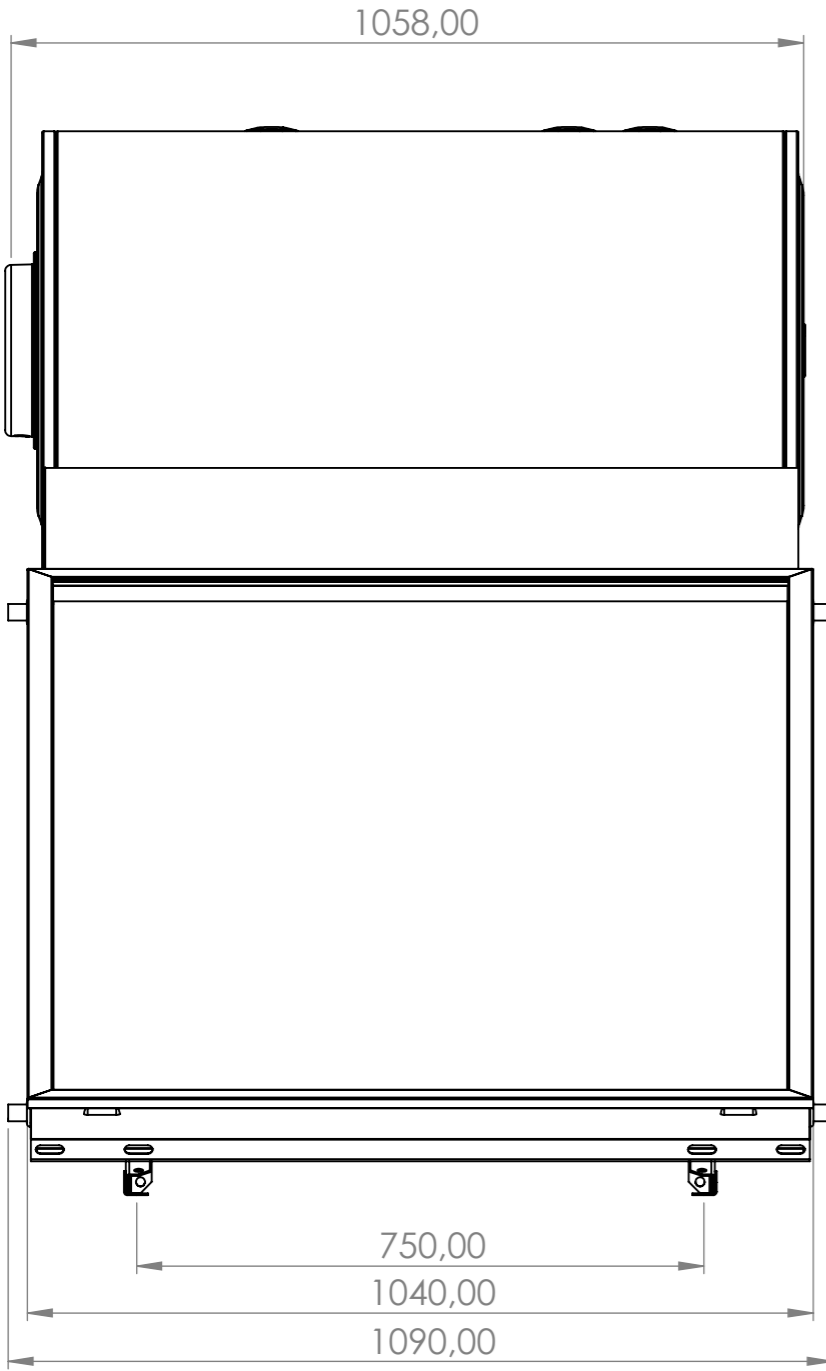



8 7 6 5 4 3 2 1

F
E
D
C
B
A

F
E
D
C
B
A



UNLESS OTHERWISE SPECIFIED: DIMENSIONS ARE IN MILLIMETERS SURFACE FINISH: TOLERANCES: LINEAR: ANGULAR:			FINISH:		DEBURR AND BREAK SHARP EDGES		DO NOT SCALE DRAWING		REVISION		
							 Sammler [®] SOLAR THERMAL SYSTEMS				
							TITLE:				
DRAWN			NAME		SIGNATURE		DATE				
CHK'D			MICHALOPOULOS								
APPV'D			MICHALOPOULOS								
MFG											
Q.A			GEORGIU				MATERIAL:		DWG NO.		
									A168-20NV		
							WEIGHT:		SCALE:1:50		
									SHEET 1 OF 1		
									A3		

8 7 6 5 4 3 2 1