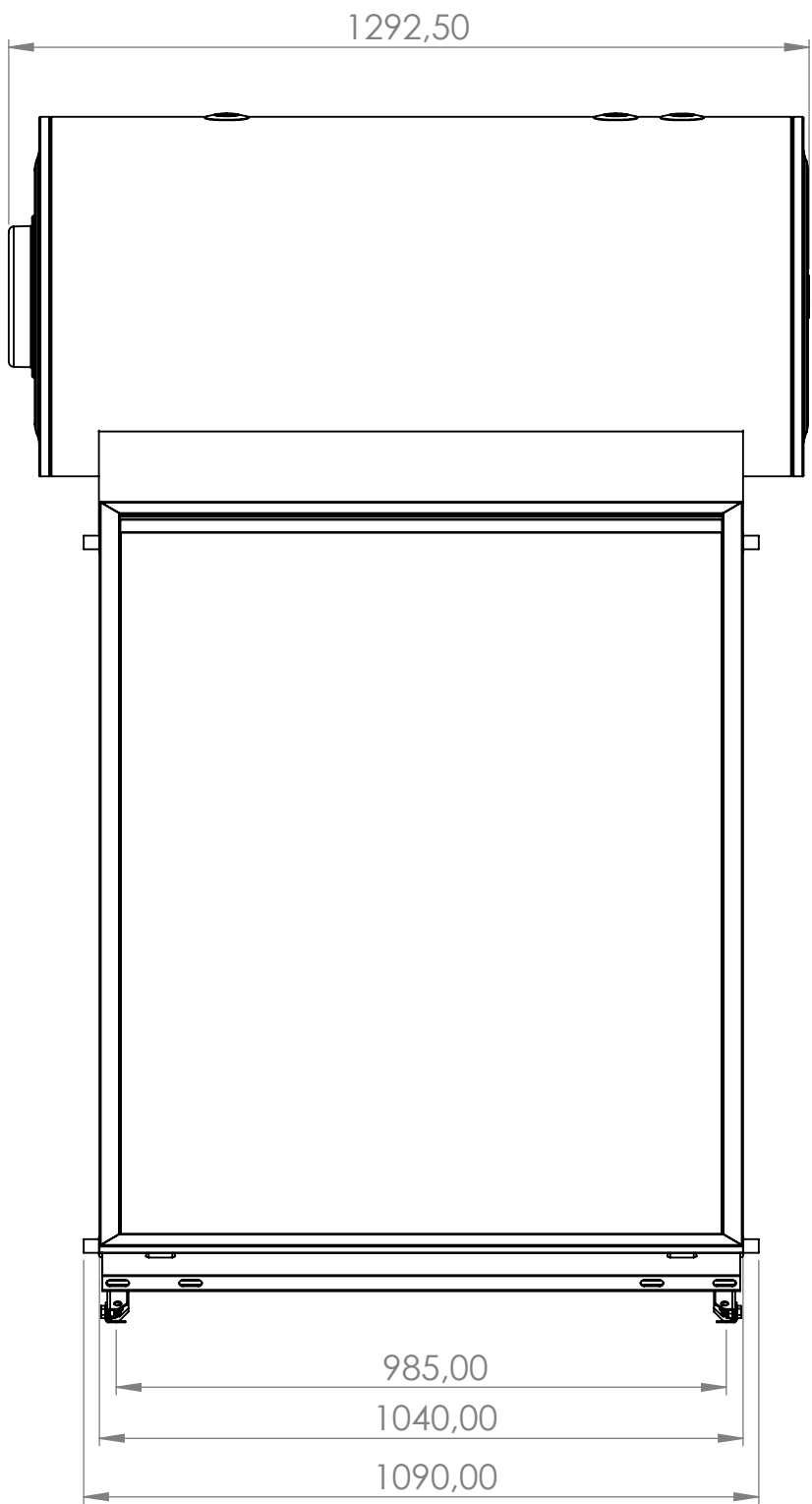


8 7 6 5 4 3 2 1

F

F



E

E

D

D

C

C

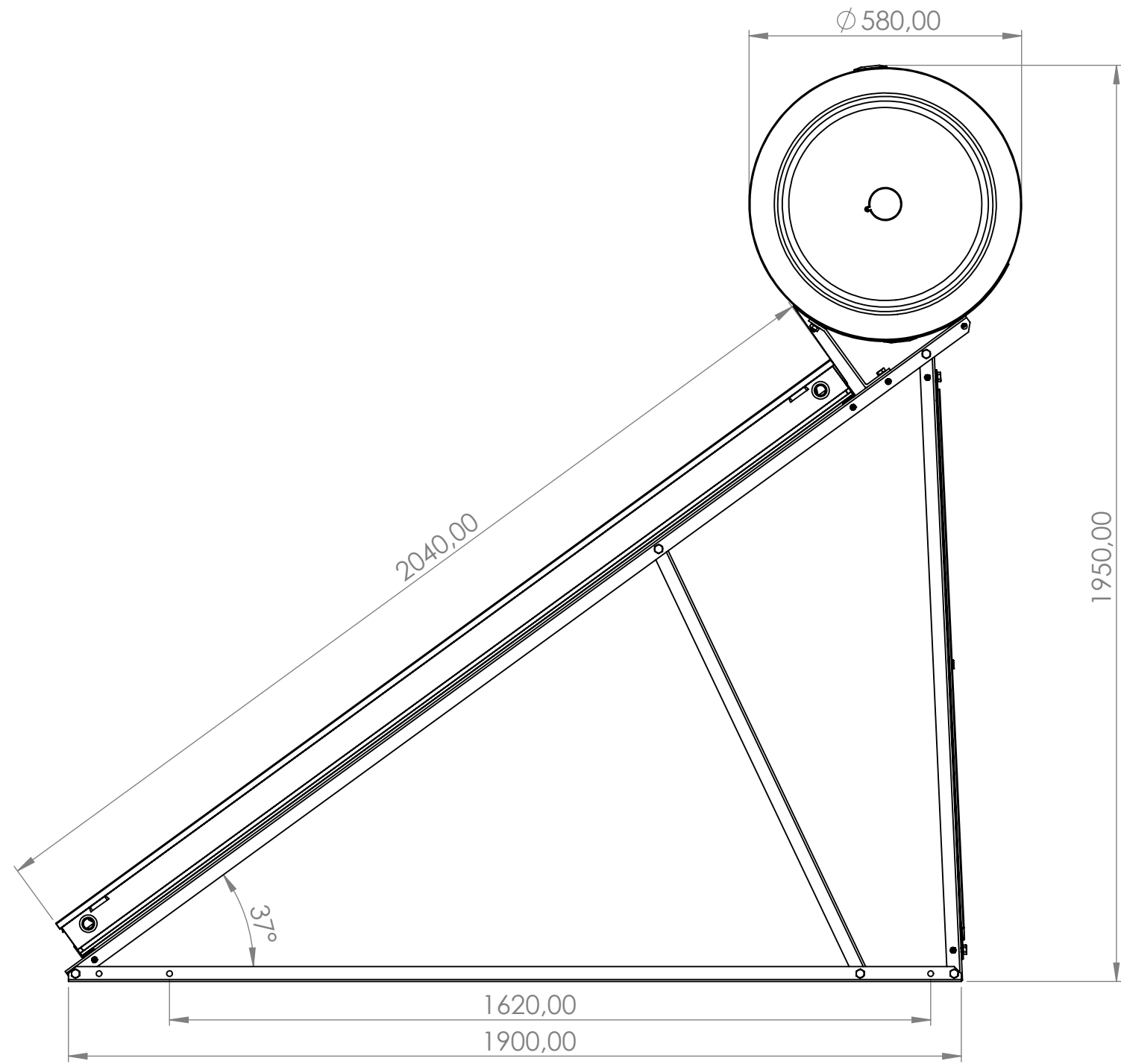
B


B

A

A

8 7 6 5 4 3 2 1



UNLESS OTHERWISE SPECIFIED: DIMENSIONS ARE IN MILLIMETERS SURFACE FINISH: TOLERANCES: LINEAR: ANGULAR:			FINISH:		DEBURR AND BREAK SHARP EDGES		DO NOT SCALE DRAWING		REVISION		
							 SOLAR THERMAL SYSTEMS				
							TITLE:				
							DWG NO. <b>A208-37NV</b>				
							SCALE: 1:50		SHEET 1 OF 1		
DRAWN		NAME		SIGNATURE		DATE					
CHK'D		MICHALOPOULOS									
APPV'D		MICHALOPOULOS									
MFG											
Q.A		GEORGIU						MATERIAL:			
								WEIGHT:			
										A3	