

8 7 6 5 4 3 2 1

F

F

E

E

D

D

C

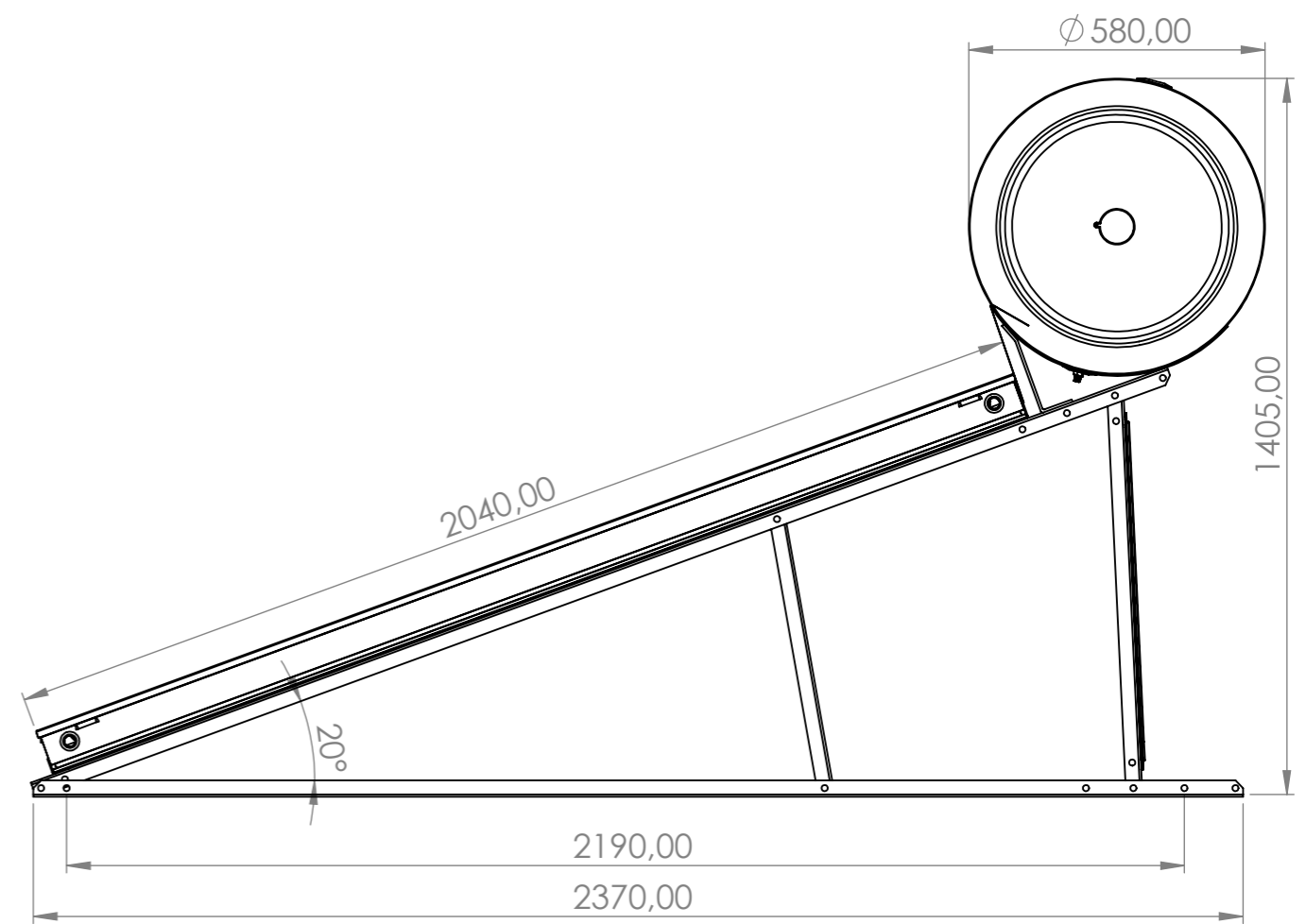
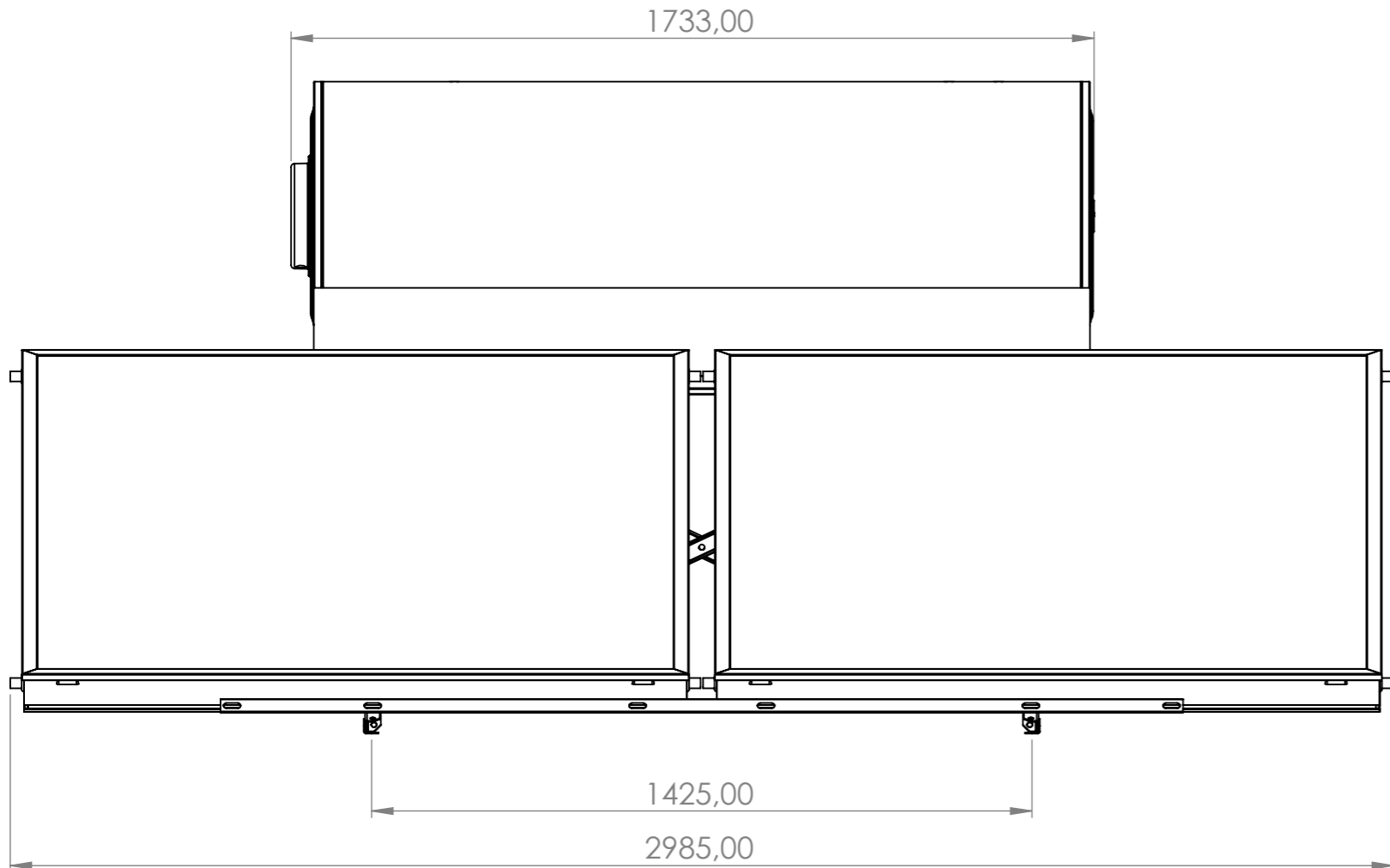
C


B

B

A

A



| | | | | | | | | | | | |
|---|--|---------------|--|-----------|--|------------------------------------|--|---|--|------------------|--|
| UNLESS OTHERWISE SPECIFIED: DIMENSIONS ARE IN MILLIMETERS SURFACE FINISH: TOLERANCES: LINEAR: ANGULAR: | | | | FINISH: | | DEBURR AND BREAK SHARP EDGES | | DO NOT SCALE DRAWING | | REVISION | |
| | | | | | | | |  Sammler [®] SOLAR THERMAL SYSTEMS | | | |
| | | | | | | | | TITLE: | | | |
| DRAWN | | SPANOS TH | | SIGNATURE | | DATE | | DWG NO. | | A338-20NV | |
| CHK'D | | MICHALOPOULOS | | | | | | A3 | | | |
| APPV'D | | MICHALOPOULOS | | | | | | | | SCALE:1:50 | |
| MFG | | | | | | | | SHEET 1 OF 1 | | | |
| Q.A | | GEORGIU | | | | MATERIAL: | | | | | |
| | | | | | | | | | | | |
| | | | | | | WEIGHT: | | | | | |

8 7 6 5 4 3 2 1