

8 7 6 5 4 3 2 1

F

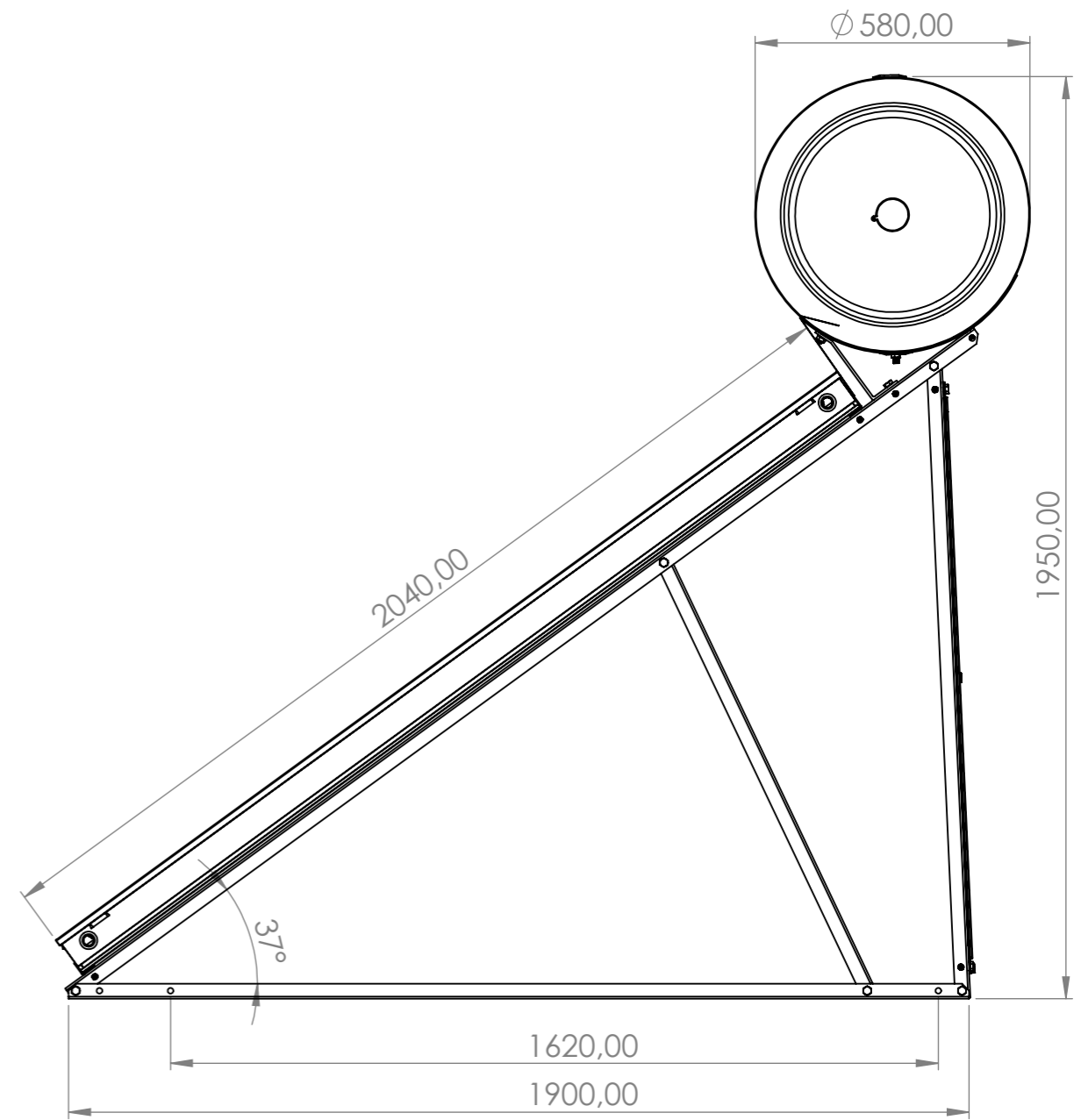
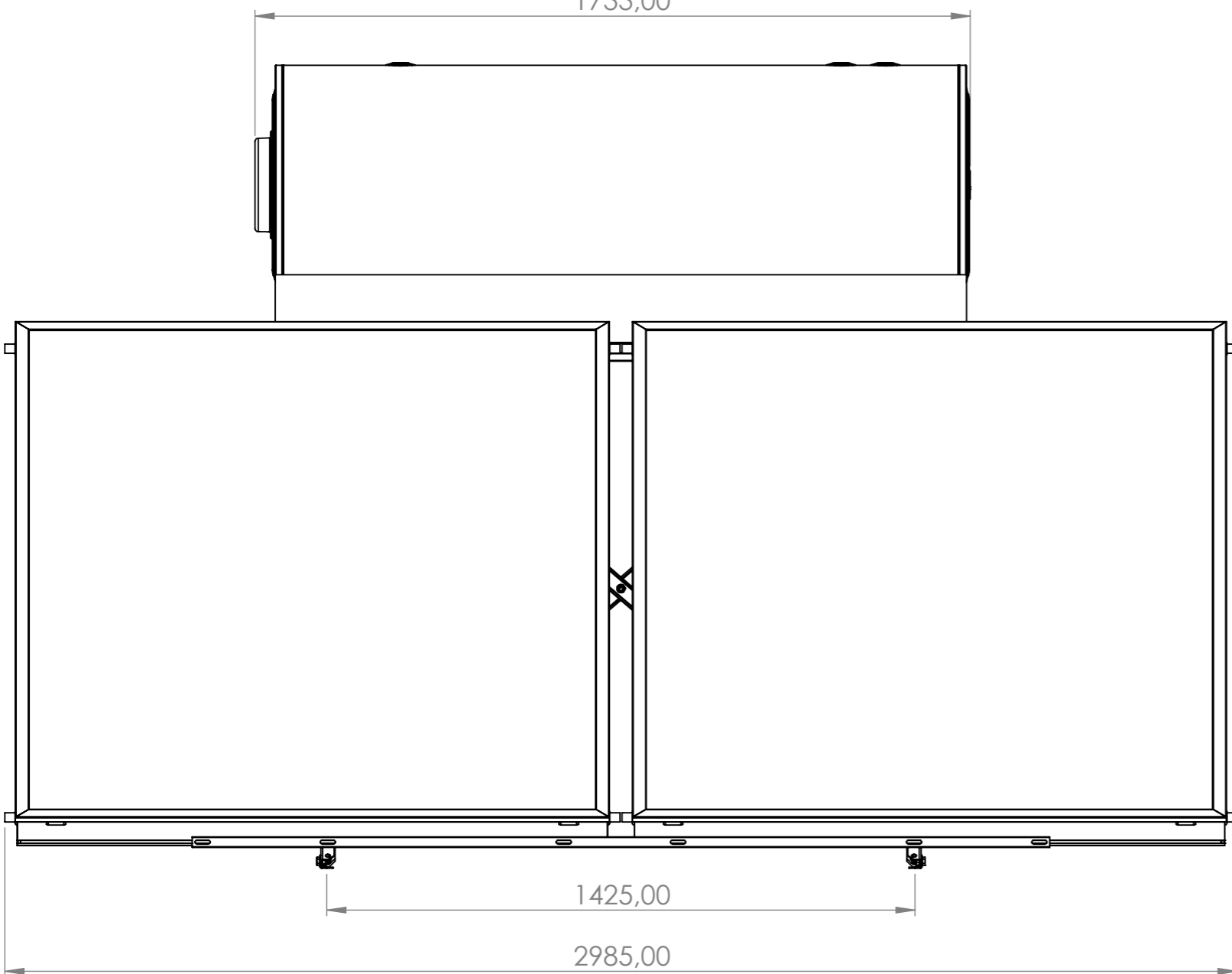
F

1733,00

∅ 580,00

E

E



D

D

C

C

1425,00

2985,00

2040,00

37°


1950,00

1620,00

1900,00

B

B

UNLESS OTHERWISE SPECIFIED: DIMENSIONS ARE IN MILLIMETERS SURFACE FINISH: TOLERANCES: LINEAR: ANGULAR:		FINISH:		DEBURR AND BREAK SHARP EDGES		DO NOT SCALE DRAWING		REVISION	
						 Sammler [®] SOLAR THERMAL SYSTEMS			
						TITLE:			
DRAWN		NAME		SIGNATURE		DATE			
CHK'D		MICHALOPOULOS							
APPV'D		MICHALOPOULOS							
MFG									
Q.A		GEORGIU				MATERIAL:		DWG NO.	
								A338-37NV	
								A3	
						WEIGHT:		SCALE:1:50	
								SHEET 1 OF 1	

A

A

8 7 6 5 4 3 2 1