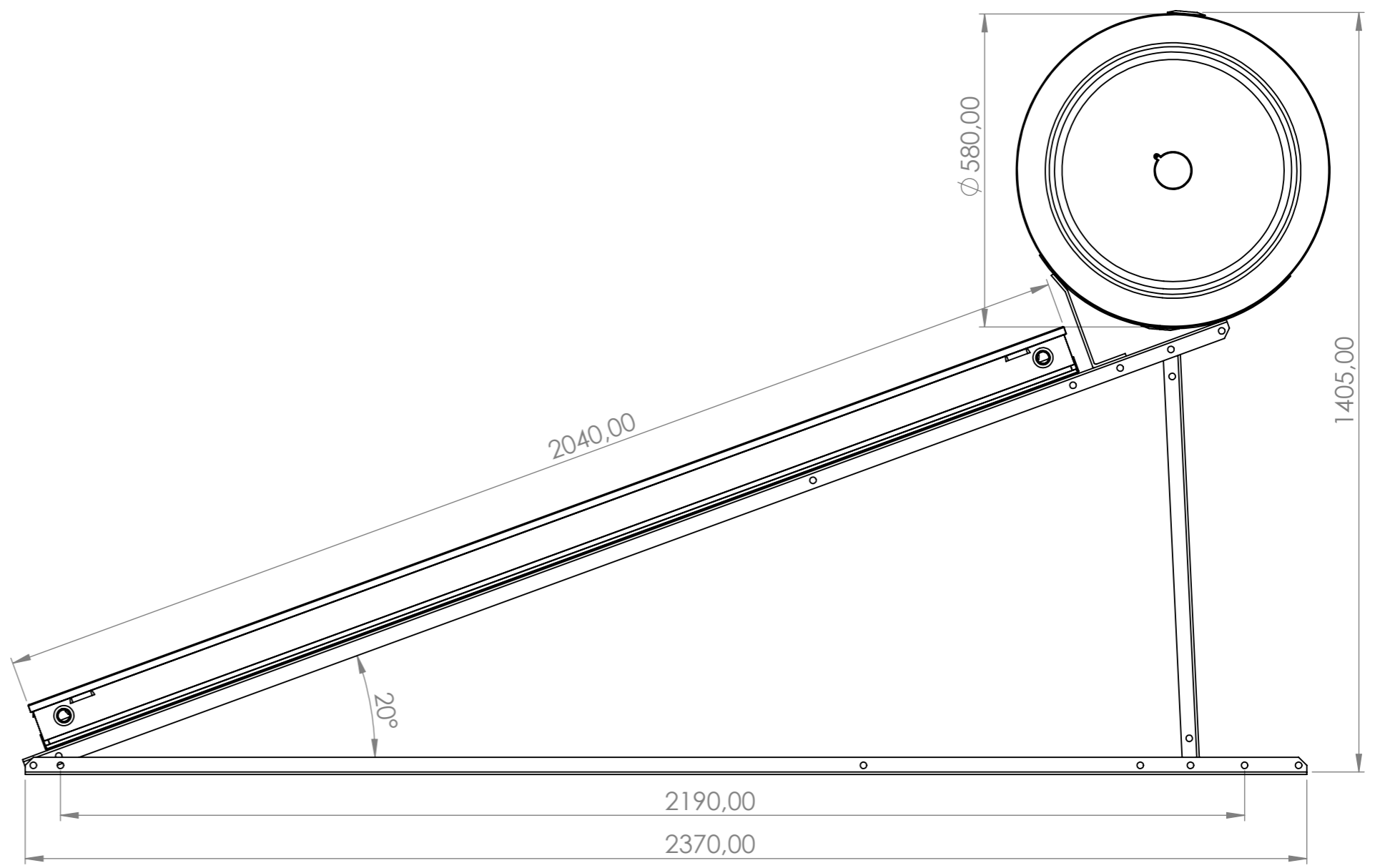
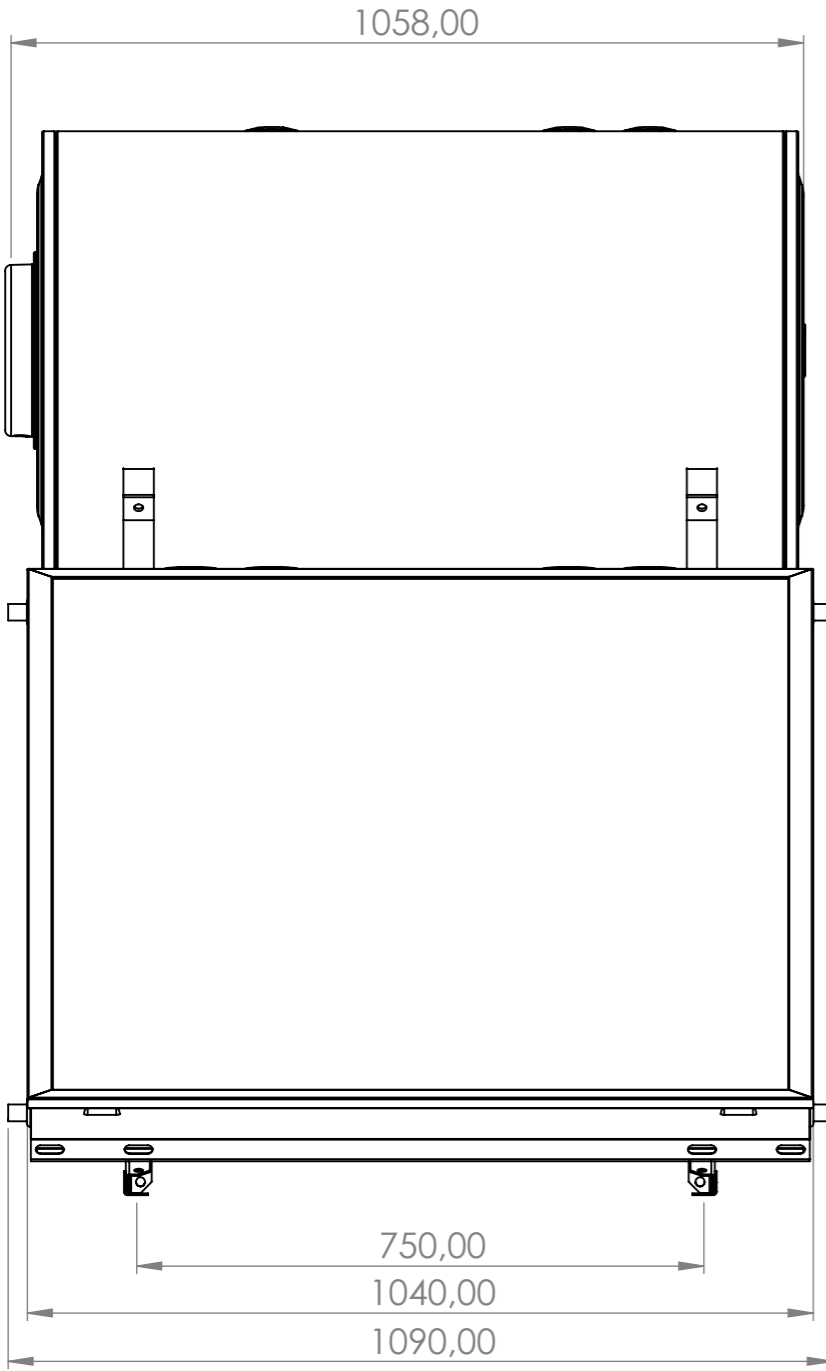



8 7 6 5 4 3 2 1

F  
E  
D  
C  
B  
A



F  
E  
D  
C  
B  
A

8 7 6 5 4 3 2 1

UNLESS OTHERWISE SPECIFIED: DIMENSIONS ARE IN MILLIMETERS SURFACE FINISH: TOLERANCES: LINEAR: ANGULAR:				FINISH:		DEBURR AND BREAK SHARP EDGES		DO NOT SCALE DRAWING		REVISION	
								 SOLAR THERMAL SYSTEMS			
								TITLE:			
DRAWN		SPANOS TH		SIGNATURE		DATE		DWG NO.		S160-21-20NV	
CHK'D		MICHALOPOULOS						SCALE:1:50		SHEET 1 OF 1	
APPV'D		MICHALOPOULOS						WEIGHT:			
MFG											
Q.A		GEORGIU								A3	