

8 7 6 5 4 3 2 1

F

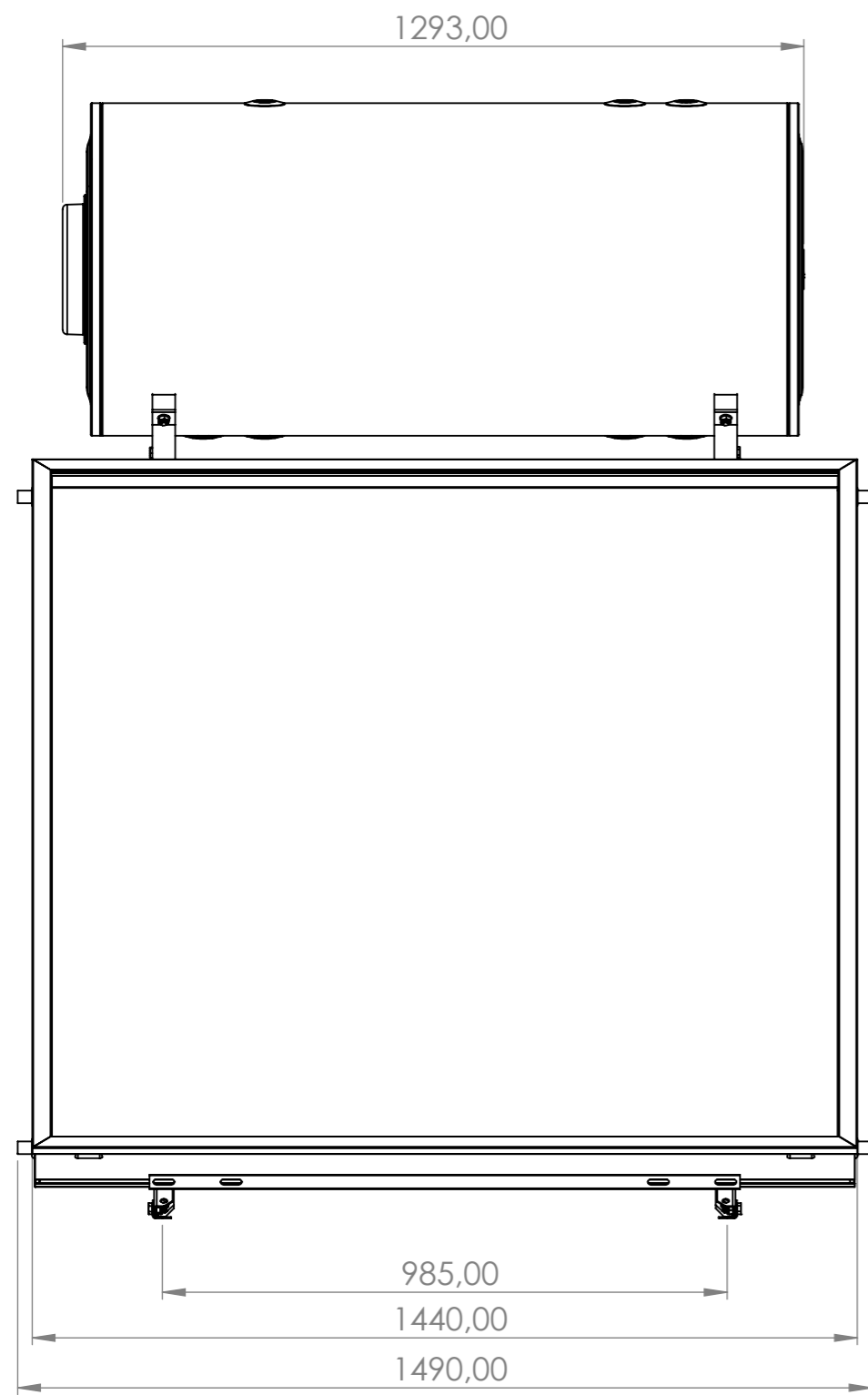
E

D

C

B

A



F

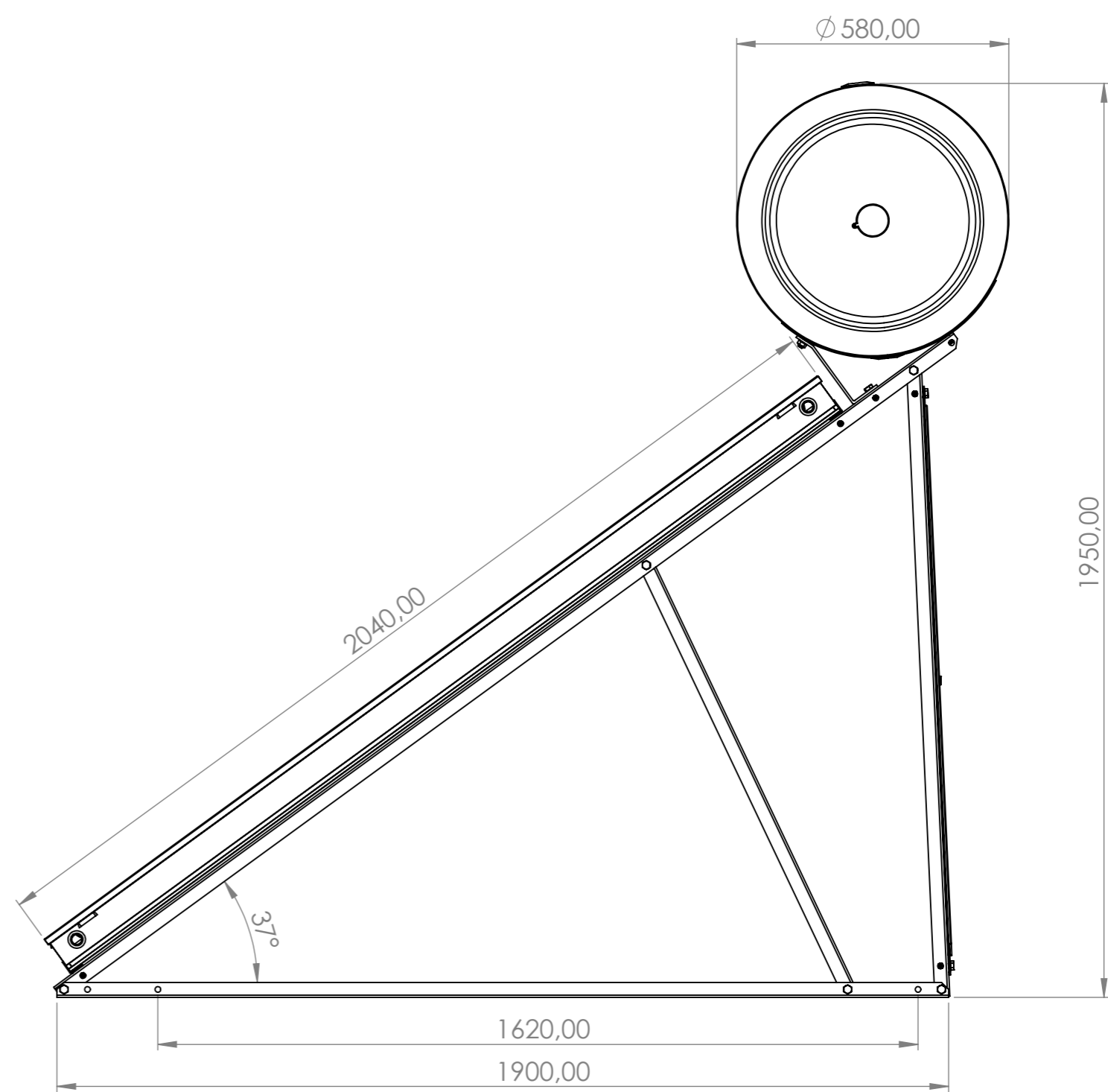
E


D

C

B

A



UNLESS OTHERWISE SPECIFIED: DIMENSIONS ARE IN MILLIMETERS SURFACE FINISH: TOLERANCES: LINEAR: ANGULAR:				FINISH:		DEBURR AND BREAK SHARP EDGES		DO NOT SCALE DRAWING		REVISION	
								 SOLAR THERMAL SYSTEMS			
								TITLE:			
DRAWN				NAME		SIGNATURE		DATE			
CHK'D				MICHALOPOULOS							
APPV'D				MICHALOPOULOS							
MFG											
Q.A				GEORGIU				MATERIAL:		DWG NO.	
										S200-29-37NV	
								WEIGHT:		SCALE:1:50	
										SHEET 1 OF 1	
								A3			

8 7 6 5 4 3 2 1