

8 7 6 5 4 3 2 1

F

F

E

E

D

D

C

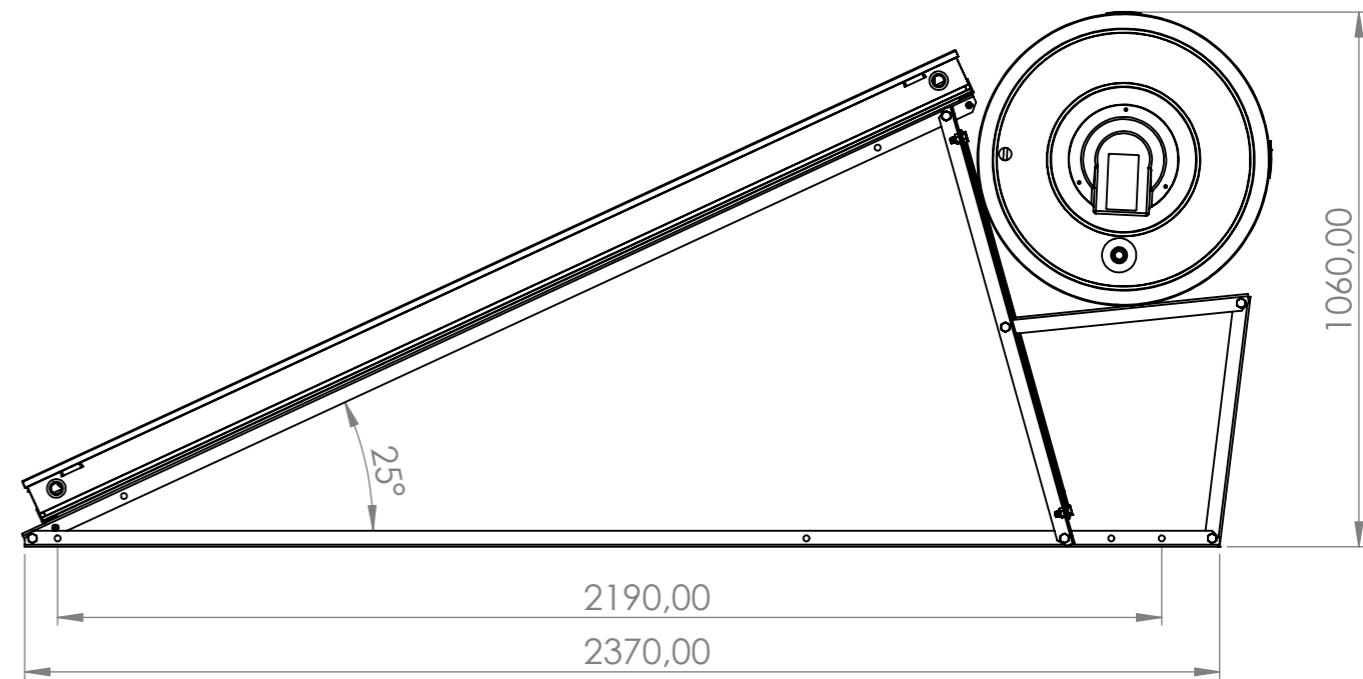
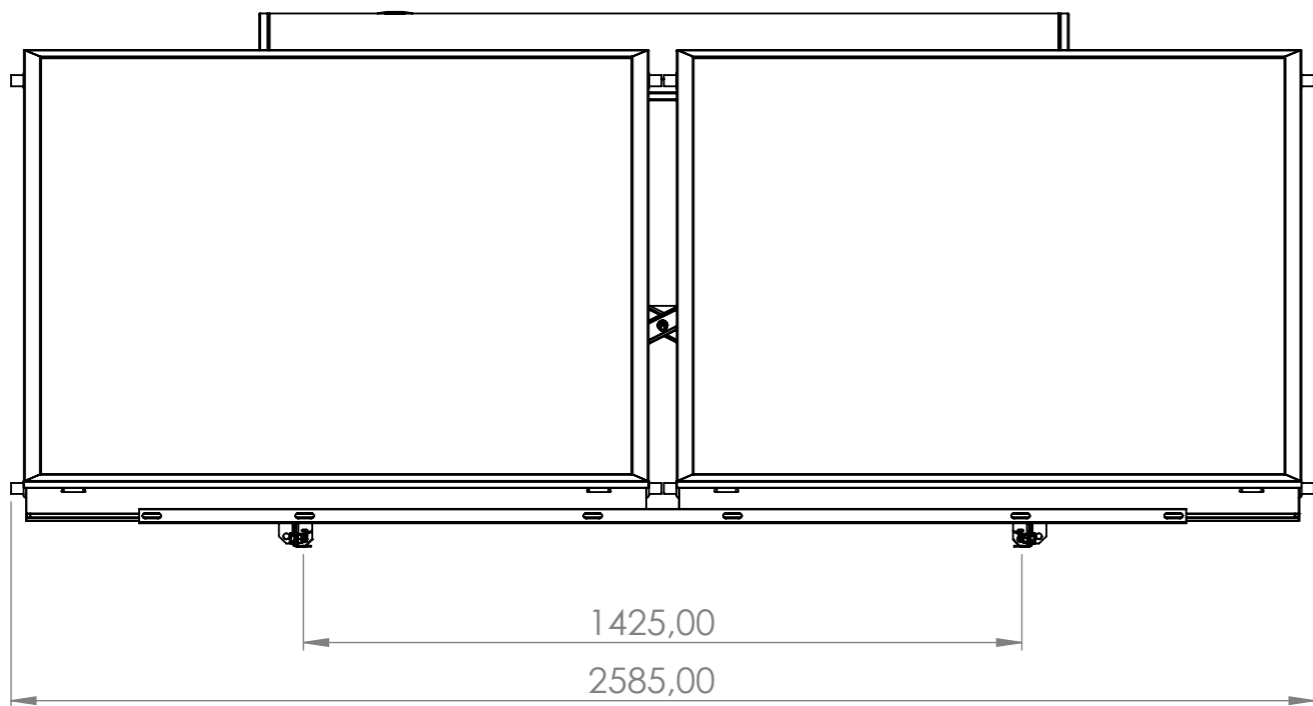
C


B

B

A

A



UNLESS OTHERWISE SPECIFIED: DIMENSIONS ARE IN MILLIMETERS SURFACE FINISH: TOLERANCES: LINEAR: ANGULAR:		FINISH:		DEBURR AND BREAK SHARP EDGES		DO NOT SCALE DRAWING		REVISION	
						 Sammler [®] SOLAR THERMAL SYSTEMS			
DRAWN		NAME		SIGNATURE		DATE		TITLE:	
		SPANOS TH							
CHK'D		MICHALOPOULOS							
APPV'D		MICHALOPOULOS							
MFG									
Q.A		GEORGIU				MATERIAL:		DWG NO.	
								SSH328NV	
						WEIGHT:		SCALE:1:50	
								SHEET 1 OF 1	
								A3	

8 7 6 5 4 3 2 1