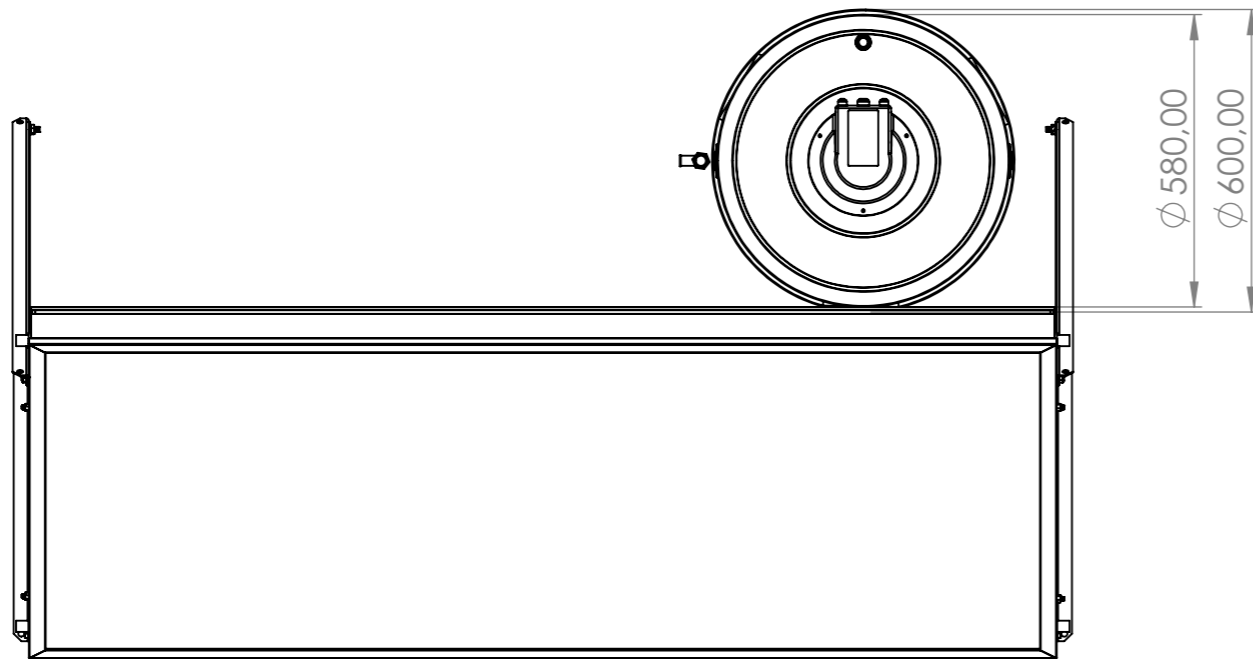


8 7 6 5 4 3 2 1

F

F

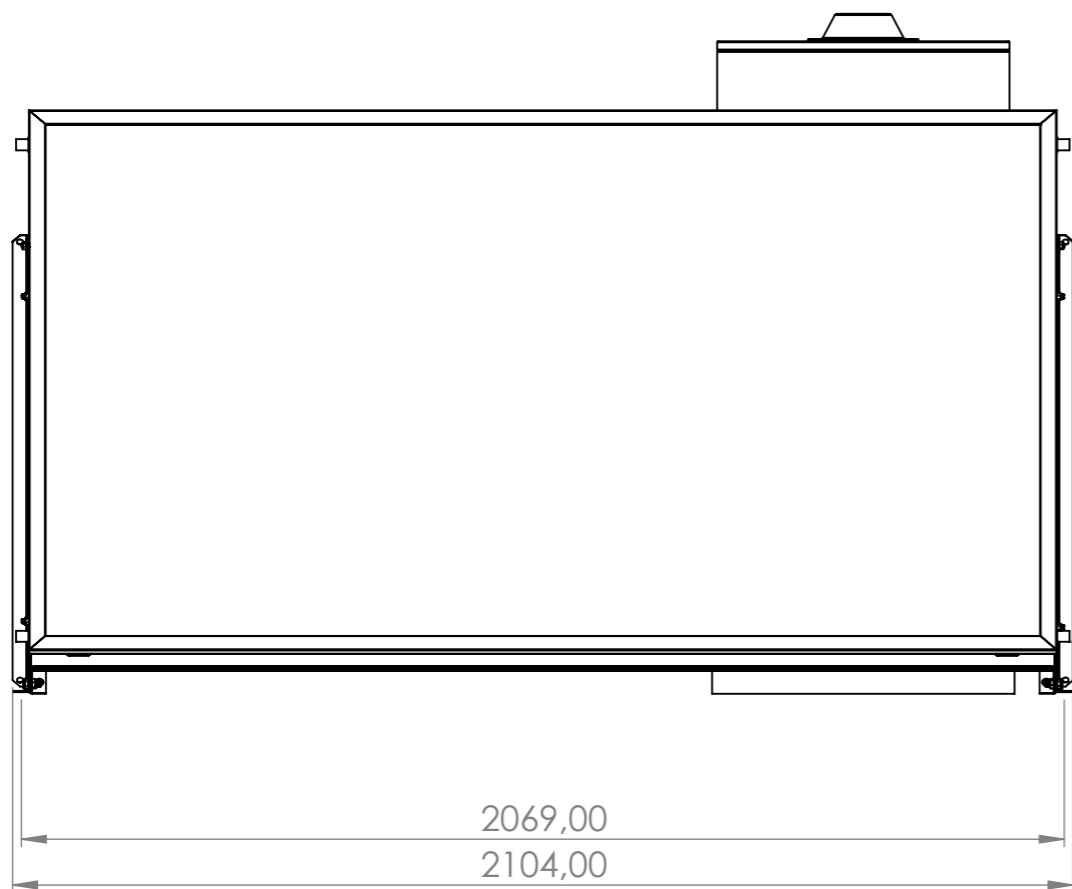


E

E

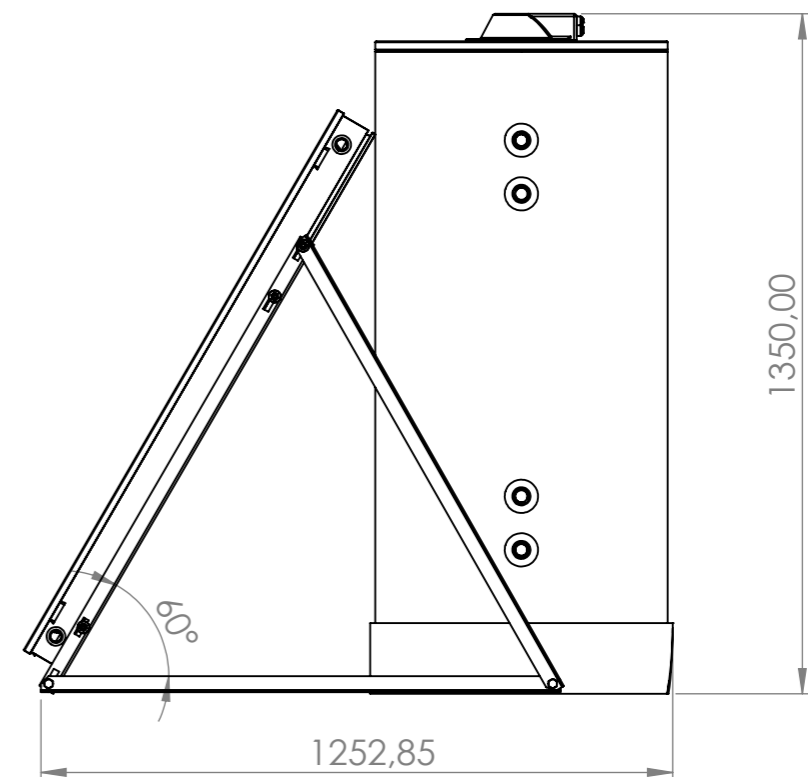
D

D



C

C




B

B

A

A

8 7 6 5 4 3 2 1

UNLESS OTHERWISE SPECIFIED: DIMENSIONS ARE IN MILLIMETERS SURFACE FINISH: TOLERANCES: LINEAR: ANGULAR:				FINISH:		DEBURR AND BREAK SHARP EDGES		DO NOT SCALE DRAWING		REVISION	
								 SOLAR THERMAL SYSTEMS			
DRAWN		SPANOS TH		SIGNATURE		DATE		TITLE:			
CHK'D		MICHALOPOULOS									
APPV'D		MICHALOPOULOS									
MFG											
Q.A		GEORGIU				MATERIAL:		DWG NO.		A3	
								HP200-25			
						WEIGHT:		SCALE:1:20		SHEET 1 OF 1	